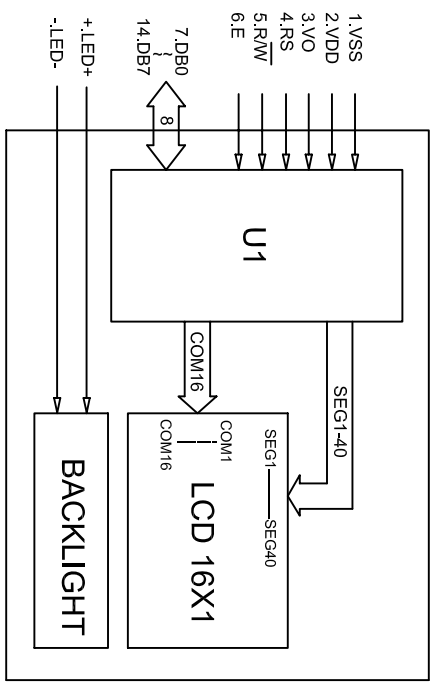
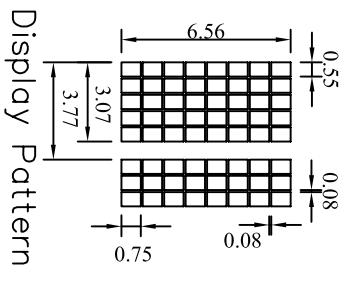


ITEM	T1	T2
BACKLIGHT	10.2	13.0
WITHOUT BL	6.2	8.5



PIN	SYMBOL
1	VSS
2	VDD(SV)
3	VO
4	RS
5	R/W
6	E
7	DB0
8	DB1
9	DB2
10	DB3
11	DB4
12	DB5
13	DB6
14	DB7
+	LED+
-	LED-

THE PART NUMBER IN MASS PRODUCTION

- 1.GRAY STN, TRANSELECTIVE LCD;Y-G BACKLIGHT;6 O'CLOCK;
- 2.Y-G STN, TRANSELECTIVE LCD;Y-G BACKLIGHT;6 O'CLOCK OR 12 O'CLOCK;
- 3.BLUE STN, TRANSMISSIVE NEGATIVE LCD;WHITE BACKLIGHT;6 O'CLOCK;
- 4.GRAY STN, REFLECTIVE LCD;WITHOUT BACKLIGHT;6 O'CLOCK OR 12 O'CLOCK;
- 5.Y-G STN, REFLECTIVE LCD;WITHOUT BACKLIGHT;6 O'CLOCK;
- 6.--

ITEM	SELECTABLE CONTENTS
DISPLAY MODE	STN YELLOW MODE STN GRAY MODE STN BLUE MODE FSTN
POLARIZER TYPE	REFLECTIVE TRANSPARENTIVE TRANSMISSIVE, POSITIVE TRANSMISSIVE, NEGATIVE
VIEWING DIRECTION	6 O'CLOCK 12 O'CLOCK WHITE Y-G RED GREEN BLUE AMBER TRI-COLOR
TEMPERATURE RANGE	STANDARD TEMPERATURE WIDE TEMPERATURE
CHARACTER PATTERNS	ENGLISH-JAPANESE FONTS ENGLISH-EUROPEAN FONTS ENGLISH-RUSSIAN FONTS CYRILLIC FONTS HEBREW FONTS
OPERATING VOLTAGE	5V
LCD DRIVING VOLTAGE	4.5V
LCD DRIVE METHOD	1/16 DUTY 1/5 BIAS
LCD DRIVE IC	SPLC780D-001 OR EQUIV
NOTE:	1. The backlight can be driven by pin+, pin- or pin1, pin2 which is selectable. 2. The voltage of backlight is depended on the backlight color and the value of current-limiting resistance. 3. The operating voltage can be driven by 3.3v which is selectable.

# DISPLAYTRONIC

XIAMEN ZETTLER ELECTRONICS CO., LTD.

TITLE:	LCM
MODEL NO:	ACM1601C SERIES
PART NO:	
SCALE:	1:1
DRAWN:	
CHECKED:	
APPROVED:	
UNIT	MM
3RD ANGLE	
TOLERANCE	X.XX = ±0.2 X.XXX = ±0.10 ANG = -
REV	A
SH NO	1/1