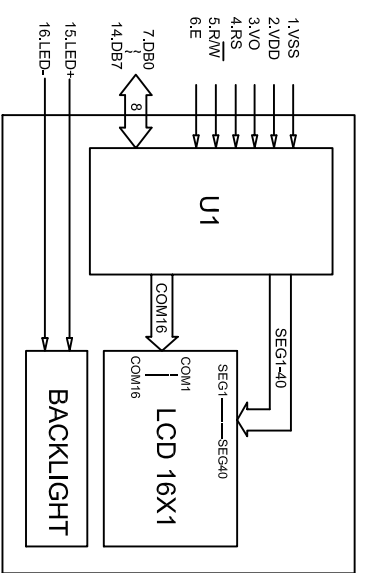
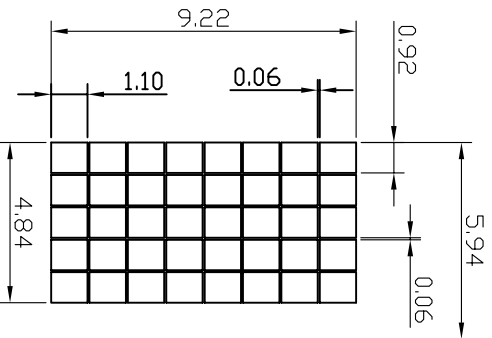


ITEM	T1	T2
BACKLIGHT	10.2	13.0
WITHOUT BL	6.2	9.0

16	LED-
15	LED+
14	DB7
13	DB6
12	DB5
11	DB4
10	DB3
9	DB2
8	DB1
7	DB0
6	E
5	R/W
4	RS
3	V0
2	VDD(SV)
1	VSS
	PIN SYMBOL



THE PART NUMBER IN MASS PRODUCTION

1.Y-G STN, TRANSMISSIVE LCD;Y-G BACKLIGHT;6 O'CLOCK;  
 2.Y-G STN, TRANSMISSIVE POSITIVE LCD;Y-G BACKLIGHT;6 O'CLOCK OR 12 O'CLOCK;  
 3.GRAY STN, REFLECTIVE LCD;WITHOUT BACKLIGHT;12 O'CLOCK;

4.--  
 5.--  
 6.--

1	2	3	4	5	6	7	8
---	---	---	---	---	---	---	---

UNIT	TOLERANCE
MM	X.X = ±0.2
3RD ANGLE	X.XX = ±0.10
ANG =	-

SCALE: 1:1

DRAWN: \_\_\_\_\_  
 CHECKED: \_\_\_\_\_  
 APPROVED: \_\_\_\_\_

<b>DISPLAYTRONIC</b>	
XIAMEN ZETTLER ELECTRONICS CO., LTD.	
TITLE: LCM	
MODEL NO: ACM1601H SERIES	REV A
PART NO:	SH NO 1/1

ITEM	SELECTABLE CONTENTS
STN YELLOW MODE	
STN GRAY MODE	
STN BLUE MODE	
FSTN	
REFLECTIVE	
TRANSMISSIVE	
TRANSMISSIVE, POSITIVE	
TRANSMISSIVE, NEGATIVE	

VIEWING DIRECTION	6 O'CLOCK	12 O'CLOCK	WHITE	Y-G	RED	GREEN	AMBER	TR-COLOR
LED BACKLIGHT								

TEMPERATURE RANGE	STANDARD TEMPERATURE	WIDE TEMPERATURE
ENGLISH-JAPANESE FONTS		
ENGLISH-EUROPEAN FONTS		
ENGLISH-RUSSIAN FONTS		
CYRILLIC FONTS		
HEBREW FONTS		

OPERATING VOLTAGE	5V
LCD DRIVING VOLTAGE	4.5V
LCD DRIVE METHOD	1/16 DUTY 1/5 BIAS
LCD DRIVE IC	SPLC780D-001 OR EQUIV

CHARACTER PATTERNS	CYRILLIC FONTS	HEBREW FONTS
NOTE:		

1. The voltage of backlight is depended on the backlight color and the value of current-limiting resistance.

2. The operating voltage can be driven by 3.3v which is selectable.

1	2	3	4	5	6	7	8
---	---	---	---	---	---	---	---