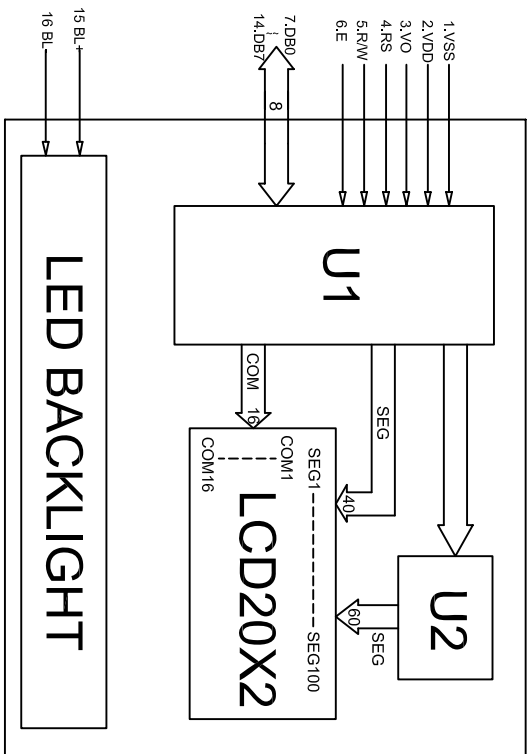
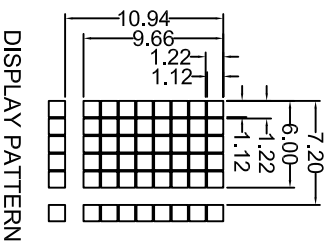


ITEM	T1	T2
BACKLIGHT	11.3	14.1
WITHOUT BL	6.2	9.0



PIN	SYMBOL
1	VSS
2	VDD(SV)
3	VO
4	RS
5	R/W
6	E
7	DB0
8	DB1
9	DB2
10	DB3
11	DB4
12	DB5
13	DB6
14	DB7
15	BL+
16	BL-

THE PART NUMBER IN MASS PRODUCTION

- 1.GRAY OR Y-G STN, TRANSPARENT LCD;Y-G BACKLIGHT;6 O'CLOCK OR 12 O'CLOCK;
- 2.GRAY STN, TRANSPARENT POSITIVE LCD;WHITE BACKLIGHT;12 O'CLOCK;
- 3.GRAY STN, REFLECTIVE LCD;WITHOUT BACKLIGHT;12 O'CLOCK;

UNIT	TOLERANCE
MM	X.XX = ±0.2
3RD ANGLE	X.XX = ±0.10
ANG =	-

SCALE: 1:1

DRAWN: _____

CHECKED: _____

APPROVED: _____

DISPLAYTRONIC	
XIAMEN ZETTLER ELECTRONICS CO., LTD.	
TITLE: LCM	MODEL NO: ACM2002R SERIES
PART NO: _____	REV A
	SH NO 1/1

ITEM	SELECTABLE CONTENTS
DISPLAY MODE	STN YELLOW MODE
	STN GRAY MODE
	STN BLUE MODE
	FSTN
POLARIZER TYPE	REFLECTIVE
	TRANSPARENT
	TRANSMISSIVE, POSITIVE
	TRANSMISSIVE, NEGATIVE
VIEWING DIRECTION	6 O'CLOCK
	12 O'CLOCK
	WHITE
	Y-G
	RED
	GREEN
	AMBER
	TRI-COLOR
TEMPERATURE RANGE	STANDARD TEMPERATURE
	WIDE TEMPERATURE
CHARACTER PATTERNS	ENGLISH-JAPANESE FONTS
	ENGLISH-EUROPEAN FONTS
	ENGLISH-RUSSIAN FONTS
	CYRILLIC FONTS
	HEBREW FONTS
OPERATING VOLTAGE	5V
LCM DRIVING VOLTAGE	4.5V
LCM DRIVE METHOD	1/16 DUTY 1/5 BIAS
LCM DRIVE IC	SPLC780D-001 OR EQUIV

NOTE:

1. The voltage of backlight is depended on the backlight color and the value of current-limiting resistance.
2. The operating voltage can be driven by 3.3v which is selectable.

1	2	3	4	5	6	7	8
---	---	---	---	---	---	---	---