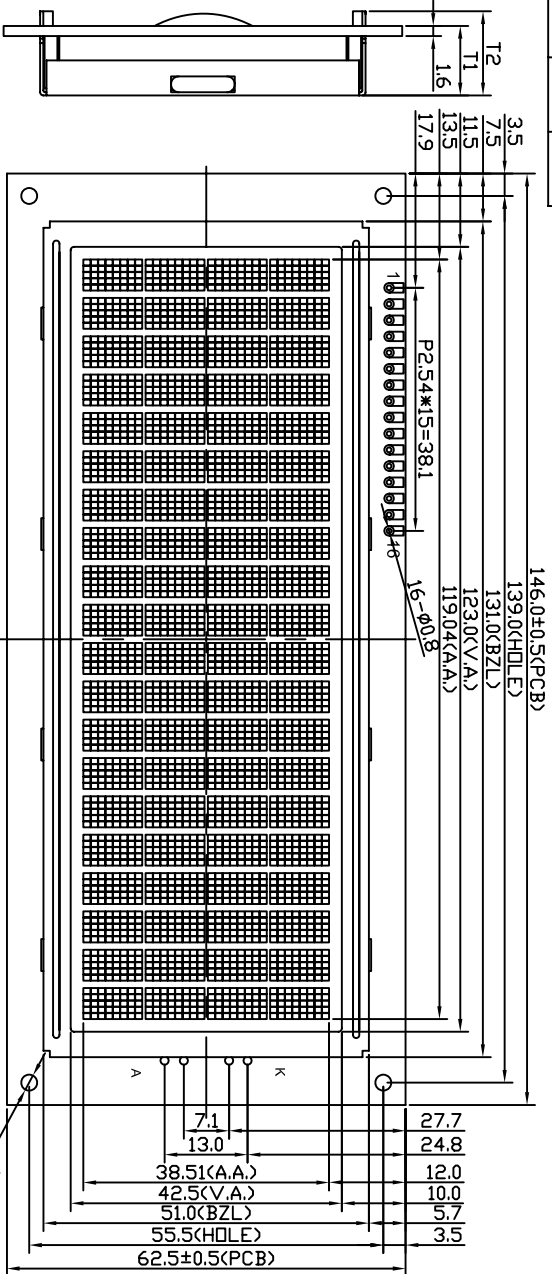
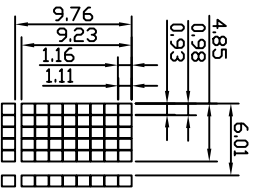
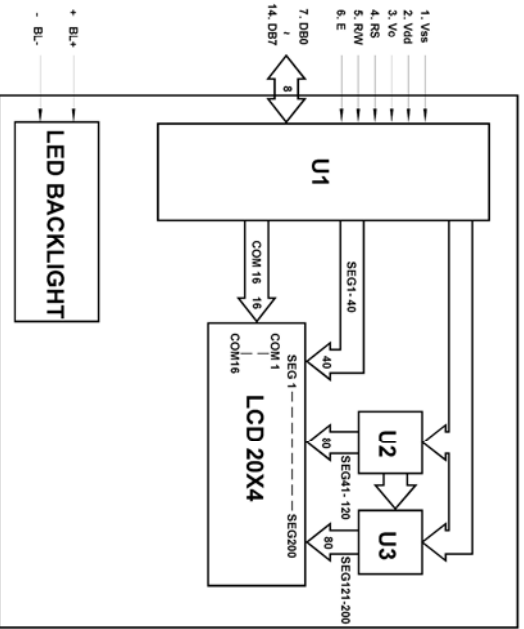


ITEM	T1	T2
BACKLIGHT	10.9	13.7
WITHOUT BL	6.2	9.0



16	BL-
15	BL+
14	DB7
13	DB6
12	DB5
11	DB4
10	DB3
9	DB2
8	DB1
7	DB0
6	E
5	R/W
4	RS
3	V0
2	VDD(SV)
1	VSS
	PIN SYMBOL



THE PART NUMBER IN MASS PRODUCTION

1.GRAY OR Y-G STN, TRANSPARENT LCD;Y-G BACKLIGHT;6 O'CLOCK;

2.GRAY STN, REFLECTIVE LCD;WITHOUT BACKLIGHT;6 O'CLOCK;

UNIT	TOLERANCE
MM	X.X = ±0.2
3RD ANGLE	X.XX = ±0.10
ANG	= -
SCALE:	1:1
DRAWN:	
CHECKED:	
APPROVED:	

TITLE: LCM	
MODEL NO: ACM2004F SERIES	
PART NO:	REV A
	SH NO 1/1

DISPLAYTRONIC

XIAMEN ZETTLER ELECTRONICS CO., LTD.

ITEM	SELECTABLE CONTENTS
DISPLAY MODE	STN YELLOW MODE STN GRAY MODE STN BLUE MODE FSTN
POLARIZER TYPE	REFLECTIVE TRANSPARENT TRANSMISSIVE, POSITIVE TRANSMISSIVE, NEGATIVE
VIEWING DIRECTION	6 O'CLOCK 12 O'CLOCK WHITE Y-G RED GREEN BLUE AMBER TRI-COLOR
TEMPERATURE RANGE	STANDARD TEMPERATURE WIDE TEMPERATURE
CHARACTER PATTERNS	ENGLISH-JAPANESE FONTS ENGLISH-EUROPEAN FONTS ENGLISH-RUSSIAN FONTS CYRILLIC FONTS HEBREW FONTS
OPERATING VOLTAGE	5V
LED DRIVING VOLTAGE	4.5V
LED DRIVE METHOD	1/16 DUTY 1/5 BIAS
LED DRIVE IC	SPLC780D-001 OR EQUIV
NOTE:	1. The backlight can be driven by pin 1, pin 2 or pin 15, pin 16 which is selectable. 2. The voltage of backlight is depended on the backlight color and the value of current-limiting resistance. 3. The operating voltage can be driven by 3.3v which is selectable.