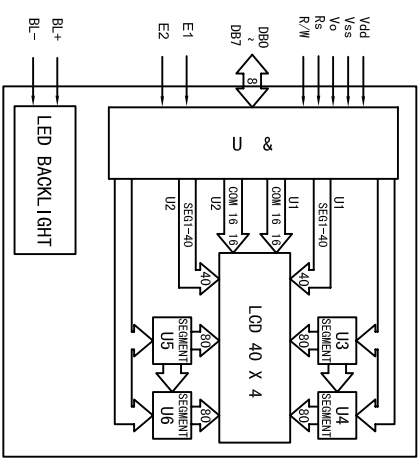
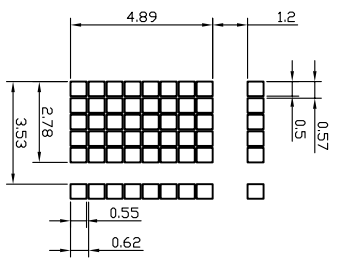


18	BL-
17	BL+
16	NC
15	E2
14	VDD
13	VSS
12	V0
11	RS
10	R/W
9	E1
8	DB0
7	DB1
6	DB2
5	DB3
4	DB4
3	DB5
2	DB6
1	DB7
PIN	SYMBOL



THE PART NUMBER IN MASS PRODUCTION

1.Y-G STN,TRANSFLECTIVE LCD;Y-G BACKLIGHT;6 O'CLOCK;

2.FSTN,TRANSFLECTIVE LCD;BLUE BACKLIGHT;6 O'CLOCK;

3.BLUE STN,TRANSMISSIVE NEGATIVE LCD;WHITE BACKLIGHT;6 O'CLOCK;

UNIT	TOLERANCE
MM	X.X = ±0.2
3RD ANGLE	X.XX = ±0.10
ANG	ANG = -
SCALE:	1:1

DRAWN:	CHECKED:	APPROVED:
MODEL NO: ACM4004H SERIES	PART NO:	

1	2	3	4	5	6	7	8
---	---	---	---	---	---	---	---

ITEM	SELECTABLE CONTENTS
DISPLAY MODE	STN YELLOW MODE
	STN GRAY MODE
	STN BLUE MODE
	FSTN
	REFLECTIVE
	TRANSFLECTIVE
	TRANSMISSIVE, POSITIVE
	TRANSMISSIVE, NEGATIVE
VIEWING DIRECTION	6 O'CLOCK
	12 O'CLOCK
	WHITE
	Y-G
	RED
	GREEN
	AMBER
	TRI-COLOR
TEMPERATURE RANGE	STANDARD TEMPERATURE
	WIDE TEMPERATURE
CHARACTER PATTERNS	ENGLISH-JAPANESE FONTS
	ENGLISH-EUROPEAN FONTS
	ENGLISH-RUSSIAN FONTS
	CYRILLIC FONTS
	HEBREW FONTS
OPERATING VOLTAGE	5V
LCD DRIVING VOLTAGE	4.2V
LCD DRIVE METHOD	1/16 DUTY 1/5 BIAS
LCD DRIVE IC	SPLC780D1

NOTE:

- 1.The backlight can be driven by pin 17, pin 18.
- 2.The voltage of backlight is depended on the backlight color and the value of current-limiting resistance.
- 3.The operating voltage can be driven by 3.3v which is selectable.

DISPLAYTRONIC

XIAMEN ZETTLER ELECTRONICS CO., LTD.

TITLE: LCM

MODEL NO: ACM4004H SERIES

PART NO:

REV	A
SH NO	1/1