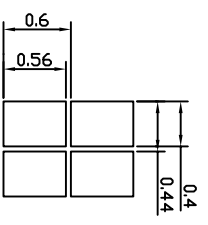
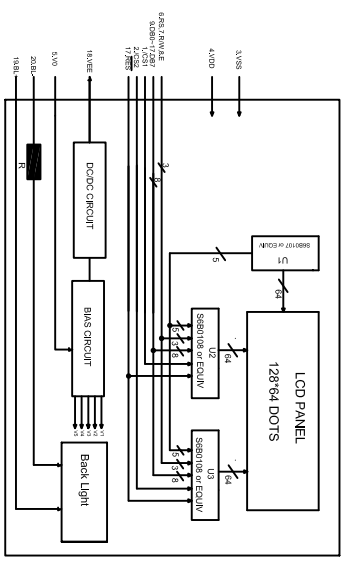
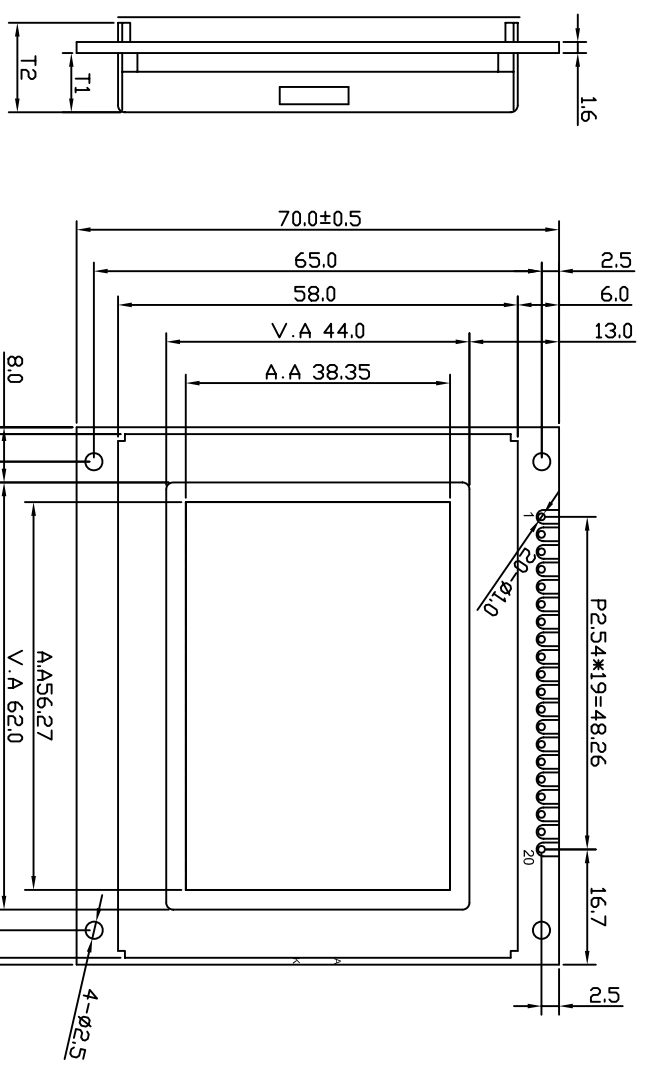


1	2	3	4	5	6	7	8
---	---	---	---	---	---	---	---



ITEM	T1	T2
WITH BL	8.6	13.5
WITHOUT BL	4.6	9.0

THE PART NUMBER IN MASS PRODUCTION

1.STN(Y-G)/POSITIVE/TRANSPARENT ;BL:Y-G LED BACKLIGHT

2.STN(GRAY)/POSITIVE/TRANSPARENT ;BL:Y-G LED BACKLIGHT

3.--

4.--

5.--

6.--

UNIT		TOLERANCE	
MM		X.X	= ±0.2
3RD ANGLE		X.XX	= ±0.10
ANG	= -		
SCALE: 1:1			
DRAWN:			
CHECKED:			
APPROVED:			
TITLE: LCM		MODEL NO: AGM1264K SERIES	
PART NO:		REV A	
		SH NO 1/1	

# DISPLAYTRONIC

XIAMEN ZETTLER ELECTRONICS CO., LTD.

- NOTE:**
- The backlight can be driven by pin 19, pin 20
  - The power supply for backlight is depended on the backlight color and the value of current-limiting resistance.

ITEM	SELECTABLE CONTENTS
DISPLAY MODE	STN YELLOW MODE STN GRAY MODE STN BLUE MODE FSTN
POLARIZER TYPE	REFLECTIVE TRANSPARENT TRANSMISSIVE POSITIVE TRANSMISSIVE NEGATIVE
VIEWING DIRECTION	6 O'CLOCK 12 O'CLOCK
LED BACKLIGHT	WHITE Y-G RED GREEN BLUE AMBER
TEMPERATURE RANGE	STANDARD TEMPERATURE WIDE TEMPERATURE
OPERATING VOLTAGE	5.0V
LED DRIVING VOLTAGE	9.7V
LED DRIVE METHOD	1/64 DUTY 1/9 BIAS
LED DRIVE IC	S6B0108 OR EQUIV