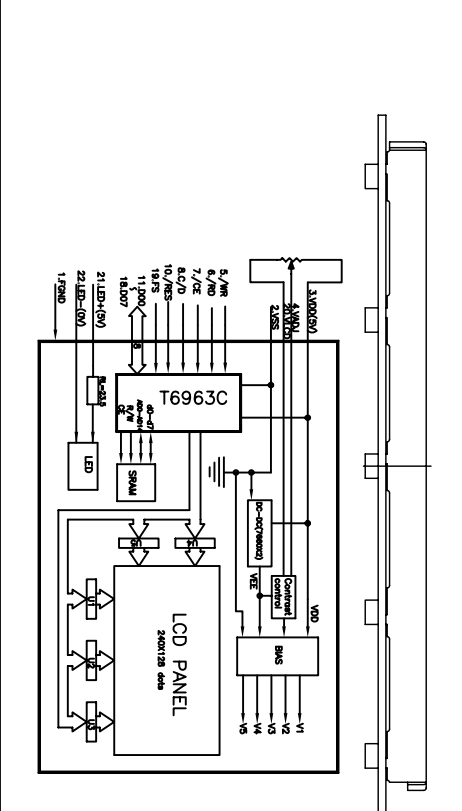
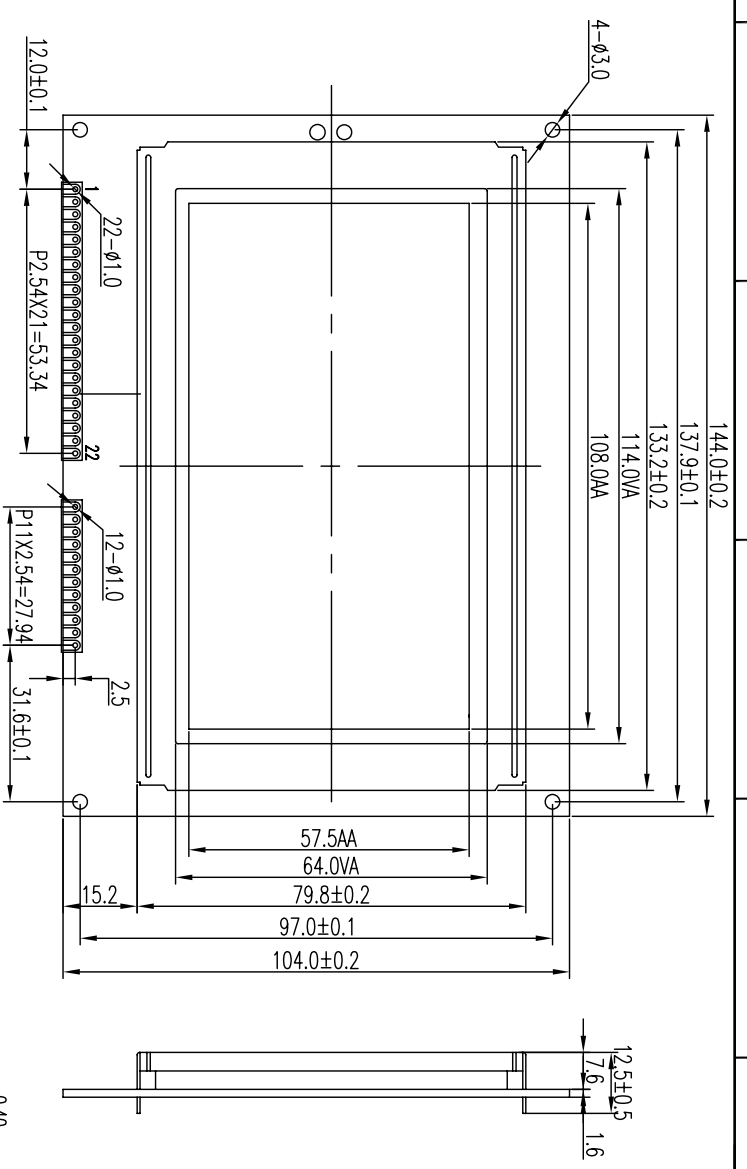


1	2	3	4	5	6	7	8
F							
E							
D							
C							
B							
A							



THE PART NUMBER IN MASS PRODUCTION

- 1.STN(Y-G)/POSITIVE/TRANSPARENT ;BL:Y-G LED BACKLIGHT;6 O'CLOCK;
- 2.FSTN/POSITIVE/TRANSPARENT ;BL:BLUE LED BACKLIGHT;12 O'CLOCK;
- 3.STN(BLUE)/NEGATIVE/TRANSPARENT ;BL:WHITE LED BACKLIGHT;6 O'CLOCK;

1	2	3	4	5	6	7	8
F							
E							
D							
C							
B							
A							

UNIT	TOLERANCE
MM	X.X = ±0.2
3RD ANGLE	X.XX = ±0.10
SCALE:	ANG = -
1:1	
DRAWN:	
CHECKED:	
APPROVED:	

DISPLAYTRONIC	
XIAMEN ZETTLER ELECTRONICS CO., LTD.	
TITLE:	LCM
MODEL NO:	AGM2412A SERIES
PART NO:	
REV	A
SH NO	1/1

ITEM	SELECTABLE CONTENTS
DISPLAY MODE	STN YELLOW MODE STN GRAY MODE STN BLUE MODE FSTN
POLARIZER TYPE	REFLECTIVE TRANSPARENT
VIEWING DIRECTION	TRANSMISSIVE, POSITIVE TRANSMISSIVE, NEGATIVE 6 O'CLOCK 12 O'CLOCK
LED BACKLIGHT	WHITE Y-G RED GREEN BLUE AMBER
TEMPERATURE RANGE	TRICOLOR STANDARD TEMPERATURE WIDE TEMPERATURE
OPERATING VOLTAGE	5.0V
LED DRIVING VOLTAGE	18.2V
LED DRIVE METHOD	1/128 DUTY 1/12 BIAS
LED DRIVE IC	T6963C OR EQUIV

NOTE:

- The backlight can be driven by pin21, pin22.
- The power supply for backlight is depended on the backlight color and the value of current-limiting resistance.