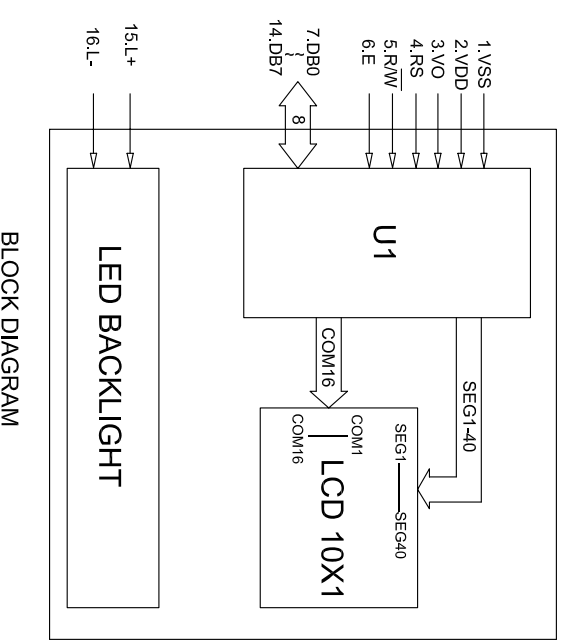


16	L-
15	L+
14	DB7
13	DB6
12	DB5
11	DB4
10	DB3
9	DB2
8	DB1
7	DB0
6	E
5	R/W
4	RS
3	V0
2	VDD(SV)
1	VSS
PIN	SYMBOL



BLOCK DIAGRAM

THE PART NUMBER IN MASS PRODUCTION
 1-Y-G STN, TRANSLUCTIVE LCD;Y-G BACKLIGHT;6 OCLOCK;

A	1	2	3	4	5	6	7	8
2--								
3--								
4--								
5--								
6--								

UNIT	MM	TOLERANCE
3RD ANGLE	X.XX	= ±0.2
ANG	X.XX	= ±0.10
SCALE:	1:1	
DRAWN:		
CHECKED:		
APPROVED:		

DISPLAYTRONIC	
XIAMEN ZETTLER ELECTRONICS CO., LTD.	
TITLE:	LCM
MODEL NO:	ACM1001A SERIES
PART NO:	
REV	A
SH NO	1/1

ITEM	SELECTABLE CONTENTS
DISPLAY MODE	STN YELLOW MODE STN GRAY MODE STN BLUE MODE FSTN
POLARIZER TYPE	REFLECTIVE TRANSLUCTIVE TRANSMISSIVE, POSITIVE TRANSMISSIVE, NEGATIVE
VIEWING DIRECTION	6 OCLOCK 12 OCLOCK WHITE Y-G RED GREEN BLUE AMBER TRI-COLOR
LED BACKLIGHT	STANDARD TEMPERATURE WIDE TEMPERATURE
TEMPERATURE RANGE	ENGLISH-JAPANESE FONTS ENGLISH-EUROPEAN FONTS ENGLISH-RUSSIAN FONTS CYRILLIC FONTS HEBREW FONTS
CHARACTER PATTERNS	OPERATING VOLTAGE 5V LCD DRIVING VOLTAGE 4.5V LCD DRIVE METHOD 1/16 DUTY 1/5 BIAS LCD DRIVE IC SPLC780D-001 OR EQUIV

NOTE:
 1. The voltage of backlight is depended on the backlight color and the value of current-limiting resistance.
 2. The operating voltage can be driven by 3.3v which is selectable.