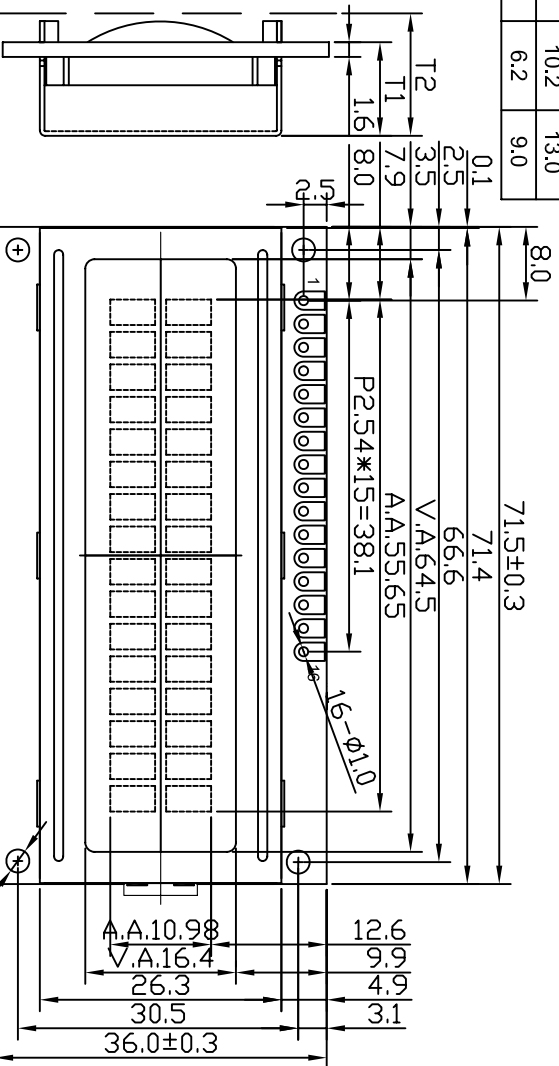
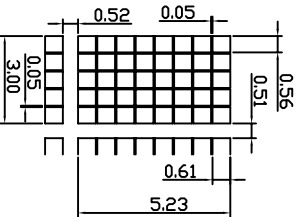
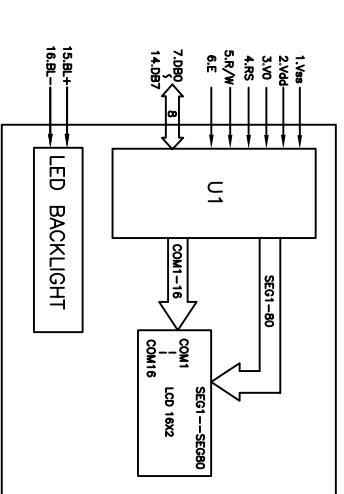


ITEM	T1	T2
BACKLIGHT	10.2	13.0
WITHOUT BL	6.2	9.0



16	BL-
15	BL+
14	DB7
13	DB6
12	DB5
11	DB4
10	DB3
9	DB2
8	DB1
7	DB0
6	E
5	R/W
4	RS
3	V0
2	VDD(SV)
1	VSS
	PIN SYMBOL



DISPLAY PATTERN

THE PART NUMBER IN MASS PRODUCTION

1.Y-G STN,TRANSFLECTIVE LCD;Y-G BACKLIGHT;6 O'CLOCK;

2.GRAY STN,REFLECTIVE LCD;WITHOUT BACKLIGHT;6 O'CLOCK;

A

3--
4--
5--
6--

UNIT	TOLERANCE
MM	X.X = ±0.2
3RD ANGLE	X.XX = ±0.10
ANG =	-
SCALE:	1:1
DRAWN:	
CHECKED:	
APPROVED:	

DISPLAYTRONIC	
XIAMEN ZETTLER ELECTRONICS CO., LTD.	
TITLE:	LCM
MODEL NO:	ACM1602Y SERIES
PART NO:	
	REV A
	SH NO 1/1

1

2

3

4

5

6

7

8

ITEM SELECTABLE CONTENTS

STN YELLOW MODE

STN GRAY MODE

STN BLUE MODE

FSTN

REFLECTIVE

TRANSFLECTIVE

TRANSMISSIVE, POSITIVE

TRANSMISSIVE, NEGATIVE

6 O'CLOCK

12 O'CLOCK

WHITE

Y-G

RED

GREEN

BLUE

AMBER

TRI-COLOR

STANDARD TEMPERATURE

WIDE TEMPERATURE

ENGLISH-JAPANESE FONTS

ENGLISH-EUROPEAN FONTS

ENGLISH-RUSSIAN FONTS

CYRILLIC FONTS

HEBREW FONTS

5V

4.5V

1/16 DUTY 1/5 BIAS

SPLC780D-001 OR EQUIV

NOTE:

1. The voltage of backlight is depended on the backlight color and the value of current-limiting resistance.

2. The operating voltage can be driven by 3.3v which is selectable.

OPERATING VOLTAGE

LCD DRIVING VOLTAGE

LCD DRIVE METHOD

LCD DRIVE IC

CHARACTER PATTERNS

TEMPERATURE RANGE

LED BACKLIGHT

A

B

C

D

E

F