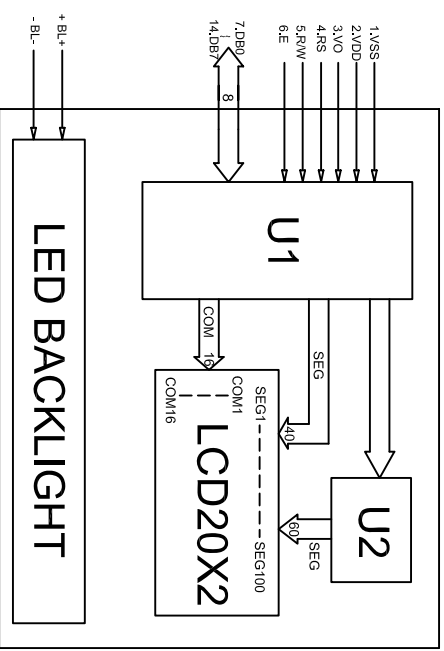
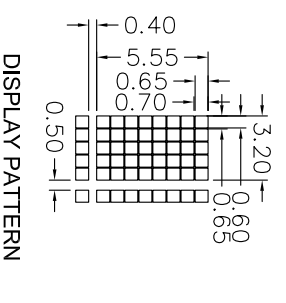


ITEM	T1	T2
BACKLIGHT	10.9	13.7
WITHOUT BL	6.2	9.0



ITEM	SELECTABLE CONTENTS
DISPLAY MODE	STN YELLOW MODE STN GRAY MODE STN BLUE MODE FSTN
POLARIZER TYPE	REFLECTIVE TRANSPARENT TRANSMISSIVE, POSITIVE TRANSMISSIVE, NEGATIVE
VIEWING DIRECTION	6 O'CLOCK 12 O'CLOCK WHITE Y-G RED GREEN AMBER TRI-COLOR
LED BACKLIGHT	STANDARD TEMPERATURE WIDE TEMPERATURE ENGLISH-JAPANESE FONTS ENGLISH-EUROPEAN FONTS ENGLISH-RUSSIAN FONTS CYRILLIC FONTS HEBREW FONTS
TEMPERATURE RANGE	5V 4.5V
CHARACTER PATTERNS	1/16 DUTY 1/5 BIAS SPLC780D-001 OR EQUIV
OPERATING VOLTAGE	5V
LED DRIVING VOLTAGE	4.5V
LED DRIVE METHOD	1/16 DUTY 1/5 BIAS
LED DRIVE IC	SPLC780D-001 OR EQUIV
NOTE:	1. The backlight can be driven by pin +, pin - or pin1, pin2 which is selectable. 2. The voltage of backlight is depended on the backlight color and the value of current-limiting resistance. 3. The operating voltage can be driven by 3.3v which is selectable.

THE PART NUMBER IN MASS PRODUCTION	
1.GRAY OR Y-G STN, TRANSPARENT LCD; Y-G BACKLIGHT; 6 O'CLOCK OR 12 O'CLOCK;	UNIT: MM
2.FSTN, TRANSPARENT LCD; AMBER BACKLIGHT; 12 O'CLOCK;	3RD ANGLE
3.Y-G STN, TRANSMISSIVE POSITIVE LCD; Y-G BACKLIGHT; 6 O'CLOCK OR 12 O'CLOCK;	TOLERANCE: X.XX = ±0.2, X.XX = ±0.10
4.BLUE STN, TRANSMISSIVE NEGATIVE LCD; WHITE BACKLIGHT; 6 O'CLOCK;	SCALE: 1:1
5.Y-G STN, REFLECTIVE LCD; WITHOUT BACKLIGHT; 6 O'CLOCK;	DRAWN: _____
	CHECKED: _____
	APPROVED: _____
DISPLAYTRONIC	
XIAMEN ZETTLER ELECTRONICS CO., LTD.	
TITLE: LCM	MODEL NO: ACM2002D SERIES
PART NO: _____	REV: A
	SH NO: 1/1