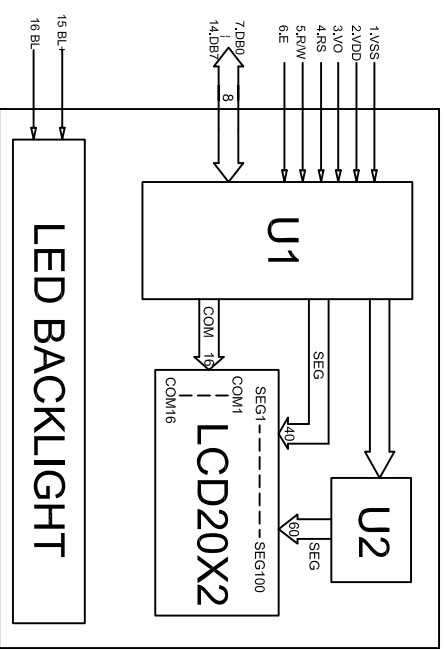
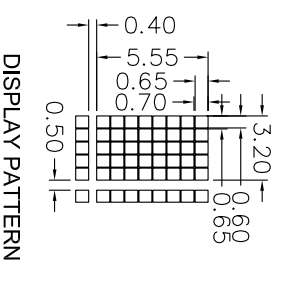


ITEM	T1	T2
BACKLIGHT	10.9	13.7
WITHOUT BL	6.2	9.0



ITEM	SELECTABLE CONTENTS
DISPLAY MODE	STN YELLOW MODE STN GRAY MODE STN BLUE MODE FSTN
POLARIZER TYPE	REFLECTIVE TRANSPARENT TRANSMISSIVE, POSITIVE TRANSMISSIVE, NEGATIVE
VIEWING DIRECTION	6 O'CLOCK 12 O'CLOCK WHITE Y-G RED GREEN AMBER TRI-COLOR
LED BACKLIGHT	STANDARD TEMPERATURE WIDE TEMPERATURE ENGLISH-JAPANESE FONTS ENGLISH-EUROPEAN FONTS ENGLISH-RUSSIAN FONTS CYRILLIC FONTS HEBREW FONTS
TEMPERATURE RANGE	OPERATING VOLTAGE: 5V LCD DRIVING VOLTAGE: 4.5V LCD DRIVE METHOD: 1/16 DUTY 1/5 BIAS LCD DRIVE IC: SPLC780D-001 OR EQUIV
CHARACTER PATTERNS	NOTE: 1. The backlight can be driven by pin +, pin - or pin 1, pin 2 or pin 15, pin 16 which is selectable. 2. The voltage of backlight is depended on the backlight color and the value of current-limiting resistance. 3. The operating voltage can be driven by 3.3v which is selectable.

ITEM	T1	T2
BL-		
BL+		
DB7		
DB6		
DB5		
DB4		
DB3		
DB2		
DB1		
DB0		
E		
R/W		
RS		
V0		
VDD(SV)		
VSS		
PIN		
SYMBOL		

THE PART NUMBER IN MASS PRODUCTION

1.GRAY OR Y-G STN, TRANSPARENT LCD; Y-G BACKLIGHT; 6 O'CLOCK OR 12 O'CLOCK;
 2.GRAY STN, TRANSPARENT LCD; WHITE BACKLIGHT; 12 O'CLOCK;
 3.Y-G STN, TRANSPARENT LCD; Y-G BACKLIGHT; 6 O'CLOCK;
 4.BLUE STN, TRANSPARENT LCD; WHITE BACKLIGHT; 6 O'CLOCK OR 12 O'CLOCK;

UNIT	TOLERANCE
MM	X.X = ±0.2
3RD ANGLE	X.XX = ±0.10
ANG	= -

SCALE: 1:1

DRAWN: _____

CHECKED: _____

APPROVED: _____

DISPLAYTRONIC

XIAMEN ZETTLER ELECTRONICS CO., LTD.

TITLE: LCM

MODEL NO: ACM2002E SERIES

PART NO: _____

REV A

SH NO 1/1