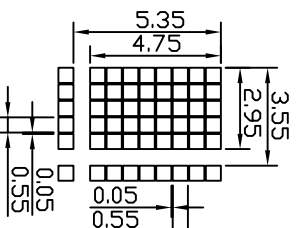
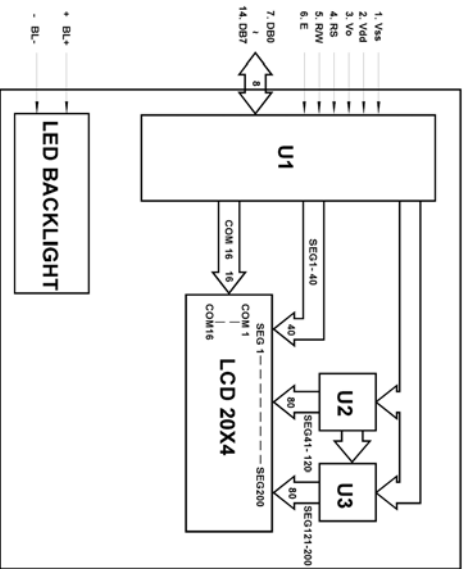
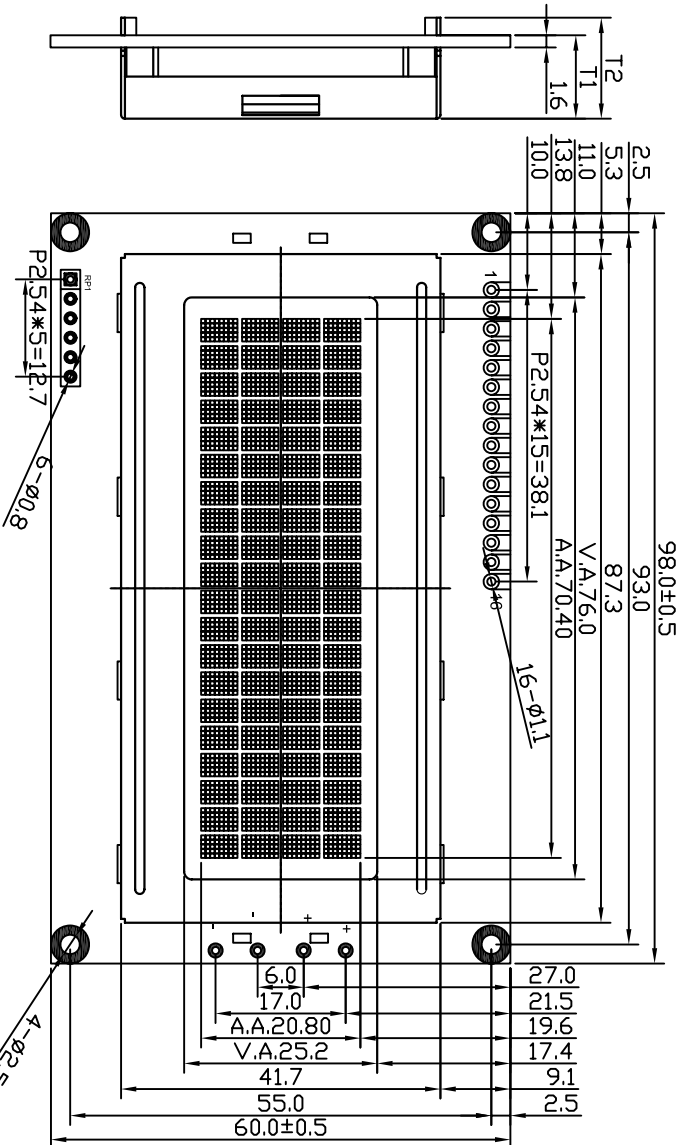


ITEM	T1	T2
BACKLIGHT	10.9	13.7
WITHOUT BL	6.2	9.0



DISPLAY PATTERN

THE PART NUMBER IN MASS PRODUCTION

- 1.GRAY OR Y-G STN, TRANSPARENT LCD; Y-G BACKLIGHT; 6 O'CLOCK OR 12 O'CLOCK;
- 2.FSTN, TRANSPARENT LCD; WHITE OR BLUE BACKLIGHT; 6 O'CLOCK OR 12 O'CLOCK;
- 3.Y-G STN, TRANSPARENT LCD; Y-G BACKLIGHT; 6 O'CLOCK OR 12 O'CLOCK;
- 4.BLUE STN, TRANSPARENT LCD; WHITE BACKLIGHT; 6 O'CLOCK OR 12 O'CLOCK;
- 5.GRAY STN, REFLECTIVE LCD; WITHOUT BACKLIGHT; 6 O'CLOCK;

UNIT	MM	TOLERANCE
X.X = ±0.2		
X.XX = ±0.10		
ANG = -		
SCALE:	1:1	
DRAWN:		
CHECKED:		
APPROVED:		

DISPLAYTRONIC	
XIAMEN ZETTLER ELECTRONICS CO., LTD.	
TITLE:	LCM
MODEL NO:	ACM2004D SERIES
PART NO:	
REV	A
SH NO	1/1

1	2	3	4	5	6	7	8
---	---	---	---	---	---	---	---

ITEM	SELECTABLE CONTENTS
------	---------------------

DISP	STN YELLOW MODE
MODE	STN GRAY MODE
	STN BLUE MODE
	FSTN

POLARIZER TYPE	REFLECTIVE
	TRANSPARENT
	TRANSMISSIVE, POSITIVE
	TRANSMISSIVE, NEGATIVE

VIEWING DIRECTION	6 O'CLOCK
	12 O'CLOCK
	WHITE
	Y-G
	RED
	GREEN
	AMBER
	TRI-COLOR

TEMPERATURE RANGE	STANDARD TEMPERATURE
	WIDE TEMPERATURE

CHARACTER PATTERNS	ENGLISH-JAPANESE FONTS
	ENGLISH-EUROPEAN FONTS
	ENGLISH-RUSSIAN FONTS
	CYRILLIC FONTS
	HEBREW FONTS

OPERATING VOLTAGE	5V
LCD DRIVING VOLTAGE	4.5V
LCD DRIVE METHOD	1/16 DUTY 1/5 BIAS
LCD DRIVE IC	SPLC780D-001 OR EQUIV

NOTE:

1. The backlight can be driven by pin 1, pin 2 or pin 15, pin 16 which is selectable.
2. The voltage of backlight is depended on the backlight color and the value of current-limiting resistance.
3. The operating voltage can be driven by 3.3v which is selectable.

OPERATING VOLTAGE	5V
LCD DRIVING VOLTAGE	4.5V
LCD DRIVE METHOD	1/16 DUTY 1/5 BIAS
LCD DRIVE IC	SPLC780D-001 OR EQUIV

OPERATING VOLTAGE	5V
LCD DRIVING VOLTAGE	4.5V
LCD DRIVE METHOD	1/16 DUTY 1/5 BIAS
LCD DRIVE IC	SPLC780D-001 OR EQUIV

OPERATING VOLTAGE	5V
LCD DRIVING VOLTAGE	4.5V
LCD DRIVE METHOD	1/16 DUTY 1/5 BIAS
LCD DRIVE IC	SPLC780D-001 OR EQUIV

OPERATING VOLTAGE	5V
LCD DRIVING VOLTAGE	4.5V
LCD DRIVE METHOD	1/16 DUTY 1/5 BIAS
LCD DRIVE IC	SPLC780D-001 OR EQUIV

OPERATING VOLTAGE	5V
LCD DRIVING VOLTAGE	4.5V
LCD DRIVE METHOD	1/16 DUTY 1/5 BIAS
LCD DRIVE IC	SPLC780D-001 OR EQUIV

OPERATING VOLTAGE	5V
LCD DRIVING VOLTAGE	4.5V
LCD DRIVE METHOD	1/16 DUTY 1/5 BIAS
LCD DRIVE IC	SPLC780D-001 OR EQUIV

OPERATING VOLTAGE	5V
LCD DRIVING VOLTAGE	4.5V
LCD DRIVE METHOD	1/16 DUTY 1/5 BIAS
LCD DRIVE IC	SPLC780D-001 OR EQUIV

OPERATING VOLTAGE	5V
LCD DRIVING VOLTAGE	4.5V
LCD DRIVE METHOD	1/16 DUTY 1/5 BIAS
LCD DRIVE IC	SPLC780D-001 OR EQUIV

OPERATING VOLTAGE	5V
LCD DRIVING VOLTAGE	4.5V
LCD DRIVE METHOD	1/16 DUTY 1/5 BIAS
LCD DRIVE IC	SPLC780D-001 OR EQUIV

OPERATING VOLTAGE	5V
LCD DRIVING VOLTAGE	4.5V
LCD DRIVE METHOD	1/16 DUTY 1/5 BIAS
LCD DRIVE IC	SPLC780D-001 OR EQUIV

OPERATING VOLTAGE	5V
LCD DRIVING VOLTAGE	4.5V
LCD DRIVE METHOD	1/16 DUTY 1/5 BIAS
LCD DRIVE IC	SPLC780D-001 OR EQUIV