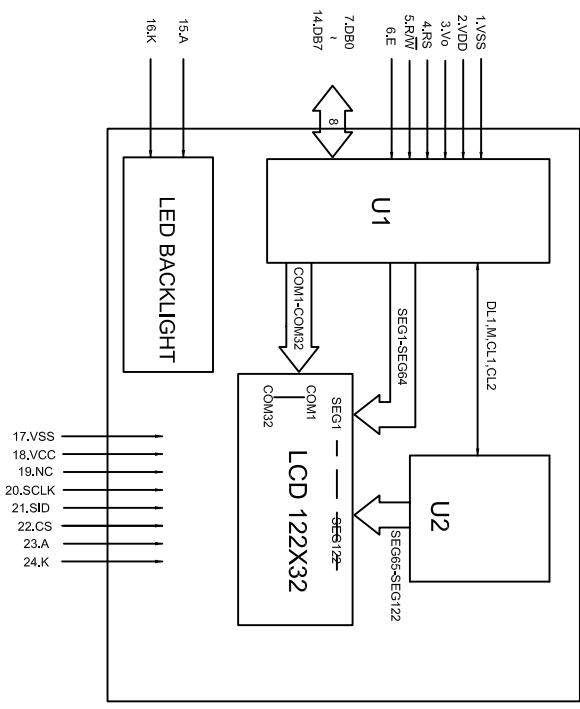
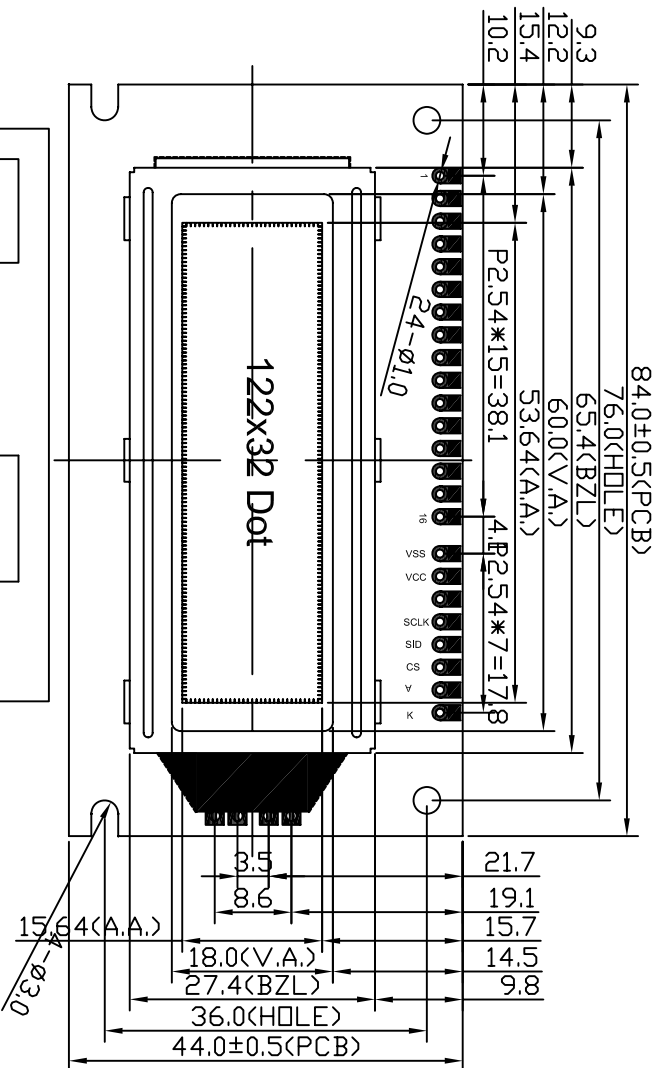
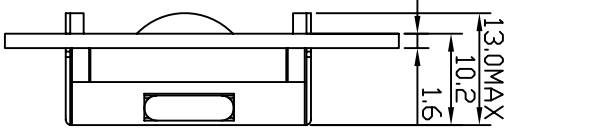


1	2	3	4	5	6	7	8
24	23	22	21	20	19	18	17
K	A(GV)	CS	SID	SCLK	NC	VCC	VSS
16	15	14	13	12	11	10	9
K	A(GV)	DB7	DB6	DB5	DB4	DB3	DB2
8	7	6	5	4	3	2	1
DB1	DB0	E	R/W	RS	VO	VO	VSS
PIN SYMBOL							



THE PART NUMBER IN MASS PRODUCTION
 1:STN(BLUE)/NEGATIVE/TRANSMISSIVE ;BL:WHITE LED BACKLIGHT;6 O'CLOCK;

1	2	3	4	5	6	7	8
A							
UNIT							
MM				TOLERANCE			
3RD ANGLE				X.XX = ±0.2			
ANG				X.XX = ±0.10			
SCALE: 1:1				ANG = -			
DRAWN:							
CHECKED:							
APPROVED:							
TITLE: LCM							
MODEL NO: AGM1232GA SERIES							
PART NO:							
SH NO 1/1							

DISPLAYTRONIC

XIAMEN ZETTLER ELECTRONICS CO., LTD.

TITLE: LCM

MODEL NO: AGM1232GA SERIES

PART NO:

ITEM	SELECTABLE CONTENTS
	STN YELLOW MODE
	STN GRAY MODE
	STN BLUE MODE
	FSTN
	REFLECTIVE
	TRANSPARENT
	TRANSMISSIVE POSITIVE
	TRANSMISSIVE NEGATIVE
VIEWING DIRECTION	6 O'CLOCK
	12 O'CLOCK
	WHITE
	Y-G
	RED
	GREEN
	BLUE
	AMBER
LED BACKLIGHT	TRICOLOR
	STANDARD TEMPERATURE
TEMPERATURE RANGE	WIDE TEMPERATURE
OPERATING VOLTAGE	5.0V
LED DRIVING VOLTAGE	6.5V
LED DRIVE METHOD	1/32 DUTY 1/5 BIAS
LED DRIVE IC	ST7920-OB-B OR EQUIV

NOTE:
 1. The power supply for backlight is depended on the backlight color and the value of current-limiting resistance.

1	2	3	4	5	6	7	8
---	---	---	---	---	---	---	---