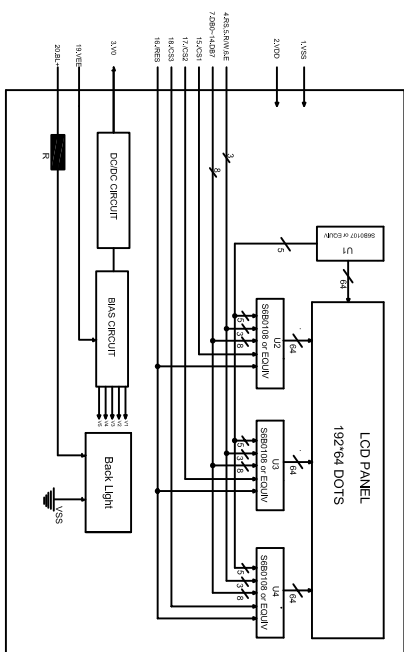


20	BL+
19	VEE
18	/CS3
17	/CS2
16	/RES
15	/CS1
14	DB7
13	DB6
12	DB5
11	DB4
10	DB3
9	DB2
8	DB1
7	DB0
6	E
5	R/W
4	RS
3	V0
2	VDD
1	VSS
PIN	SYMBOL



BLOCK DIAGRAM

THE PART NUMBER IN MASS PRODUCTION

1.STN(Y-G)/POSITIVE/TRANSPARENT REFLECTIVE ;BL;Y-G LED BACKLIGHT

2.--

3.--

4.--

5.--

6.--

ITEM	SELECTABLE CONTENTS
DISPLAY MODE	STN YELLOW MODE STN GRAY MODE STN BLUE MODE FSTN
POLARIZER TYPE	REFLECTIVE TRANSPARENT TRANSMISSIVE, POSITIVE TRANSMISSIVE, NEGATIVE
VIEWING DIRECTION	6 O'CLOCK 12 O'CLOCK WHITE Y-G RED GREEN AMBER
LED BACKLIGHT	TRICOLOR STANDARD TEMPERATURE WIDE TEMPERATURE
TEMPERATURE RANGE	5.0V 9.7V
OPERATING VOLTAGE	1/64 DUTY 1/9 BIAS
LCD DRIVING VOLTAGE	S6B0108 OR EQUIV
LCD DRIVE METHOD	
LCD DRIVE IC	

NOTE:

- 1.The backlight can be driven by pin20
- 2.The power supply for backlight is depended on the backlight color and the value of current-limiting resistance.

DISPLAYTRONIC

XIAMEN ZETTLER ELECTRONICS CO., LTD.

TITLE: LCM

MODEL NO: AGM11964C SERIES

PART NO:

UNIT	MM	TOLERANCE
3RD ANGLE	X.XX	±0.2
ANG	X.XX	±0.10
SCALE:	1:1	
DRAWN:		
CHECKED:		
APPROVED:		

REV	A
SH NO	1/1