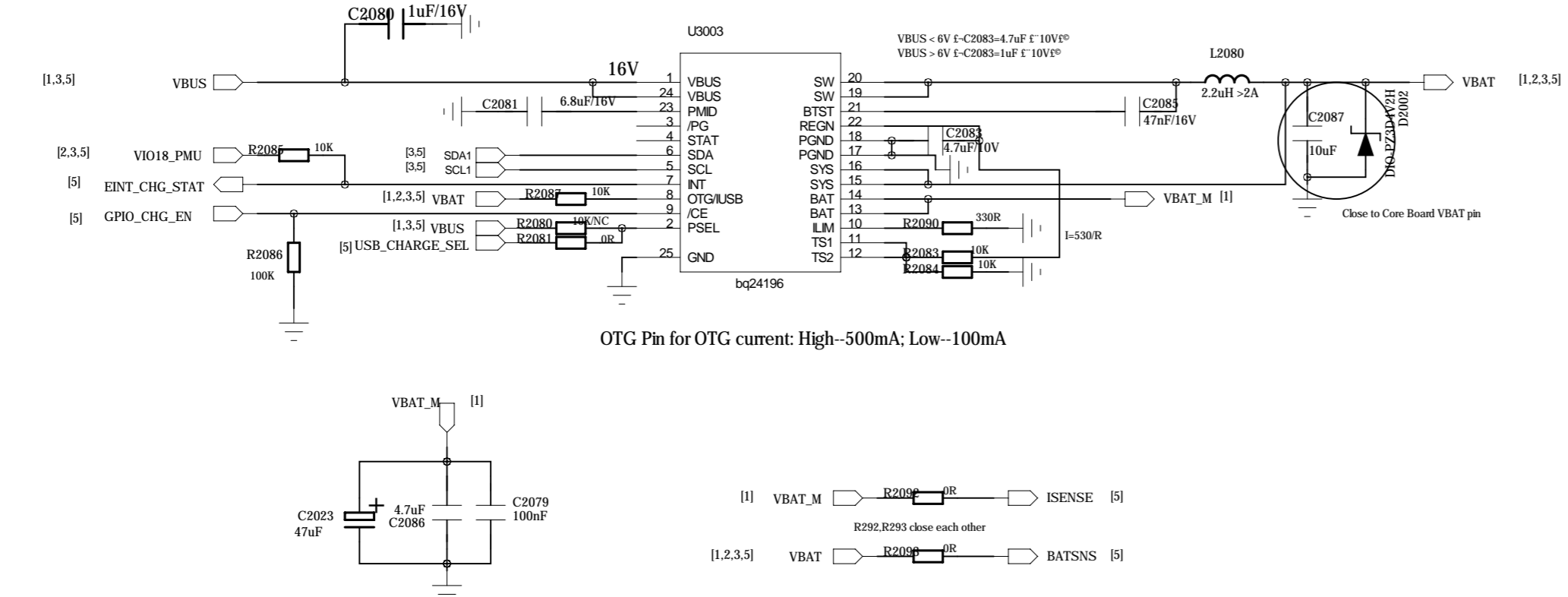
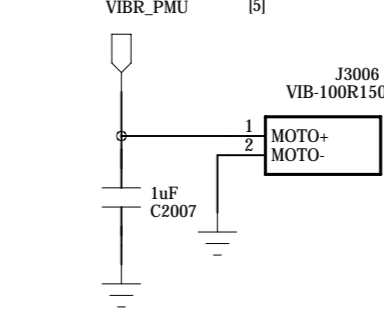


Charger

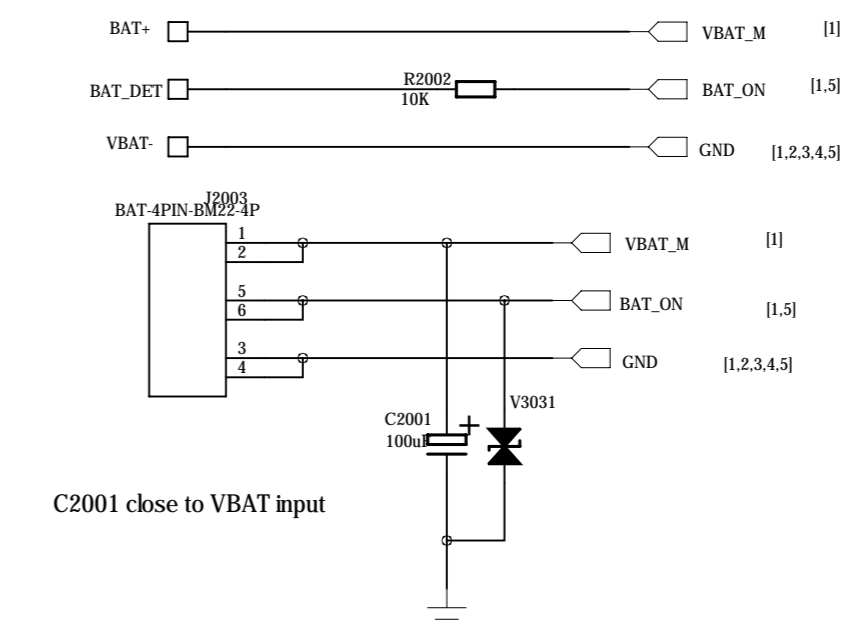


Motor

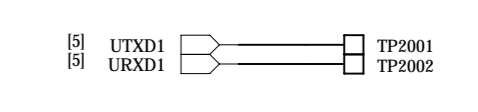
VIBR_PMU:2.8V



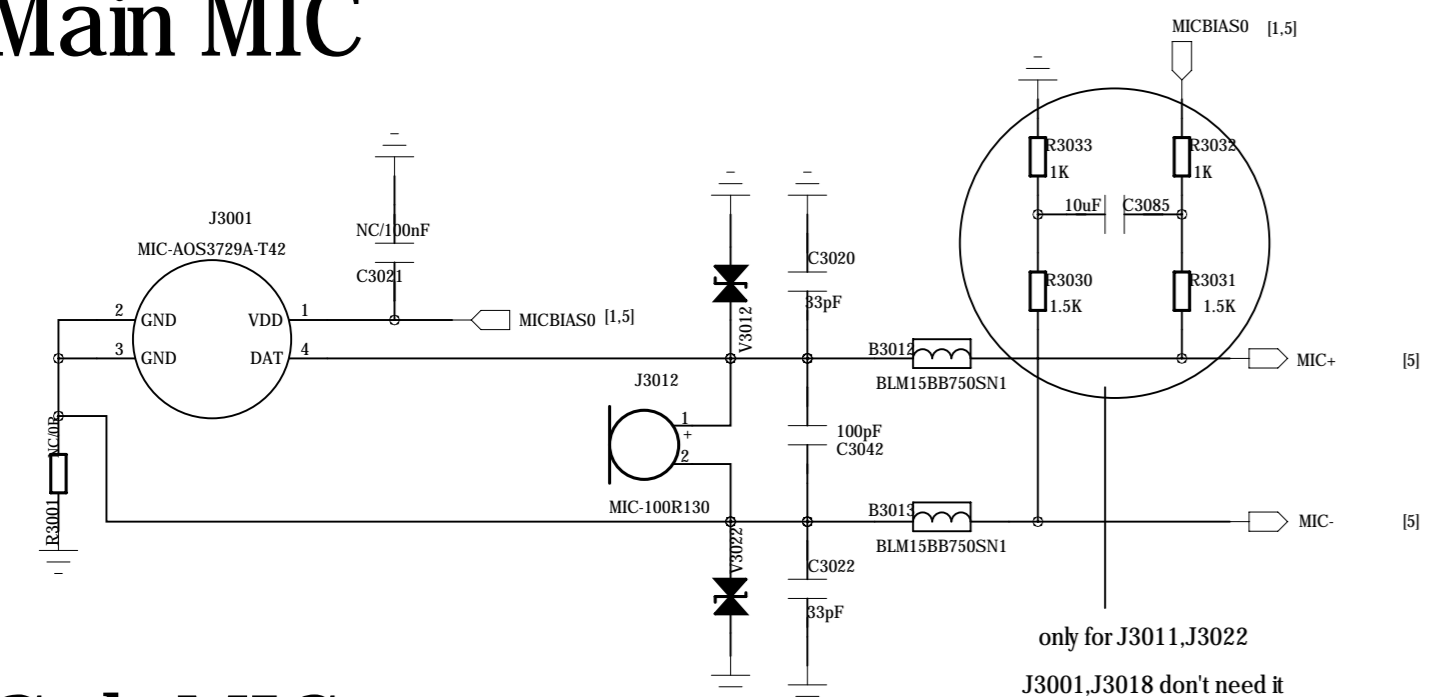
Battery



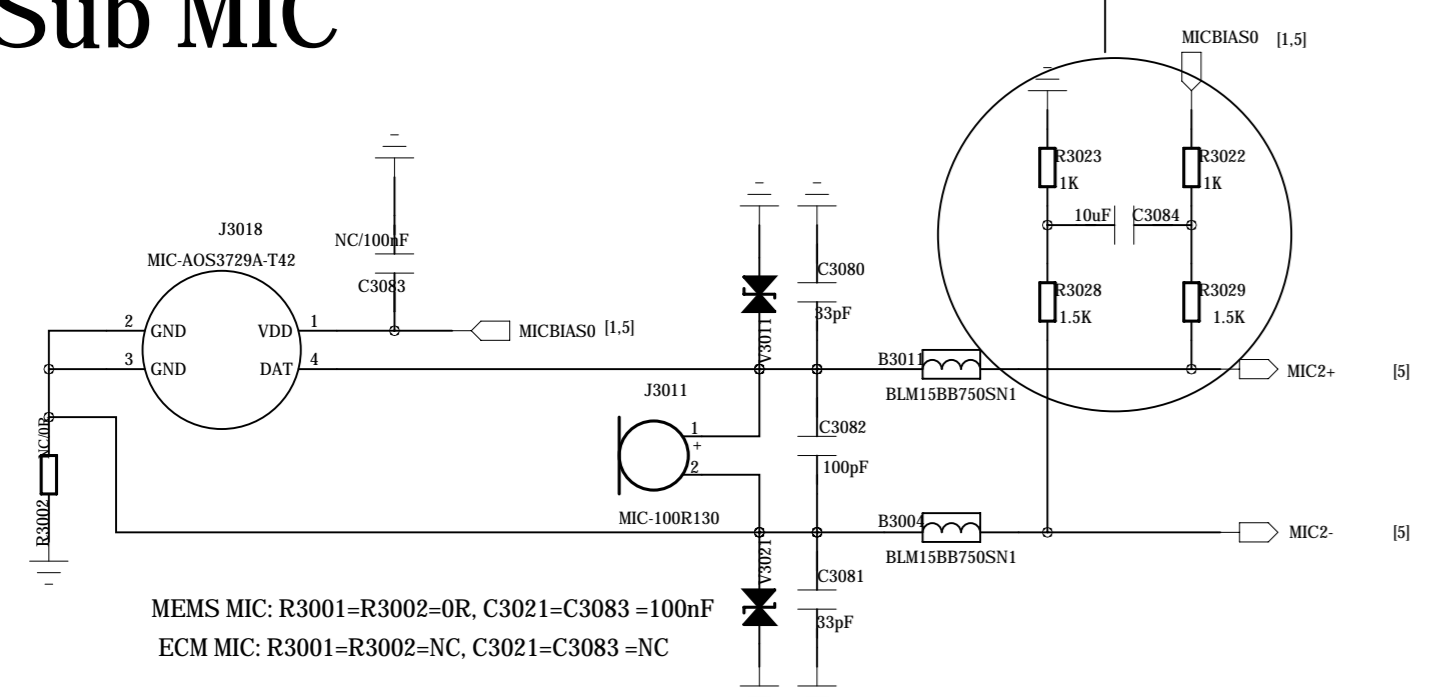
MP Test Points



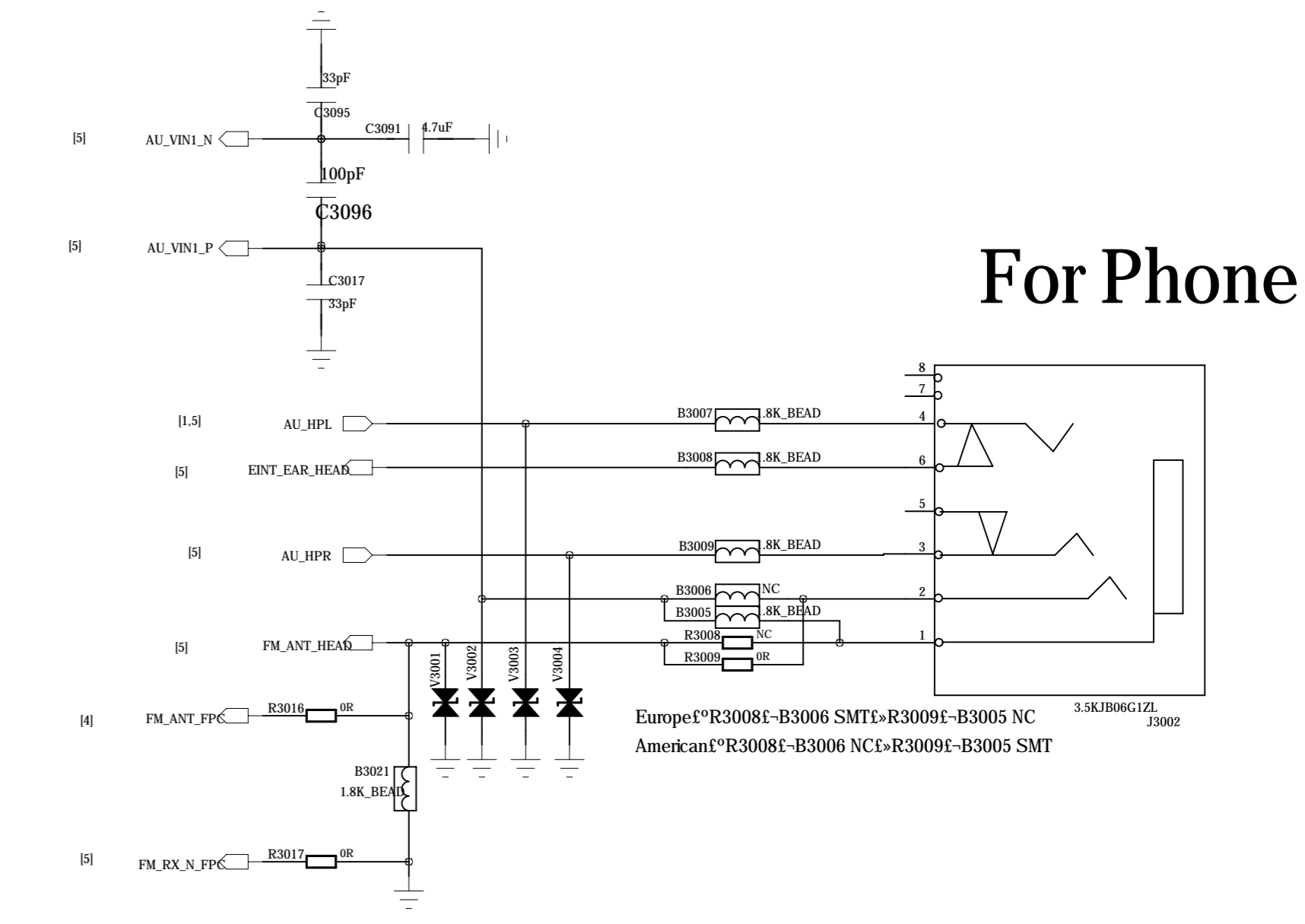
Main MIC



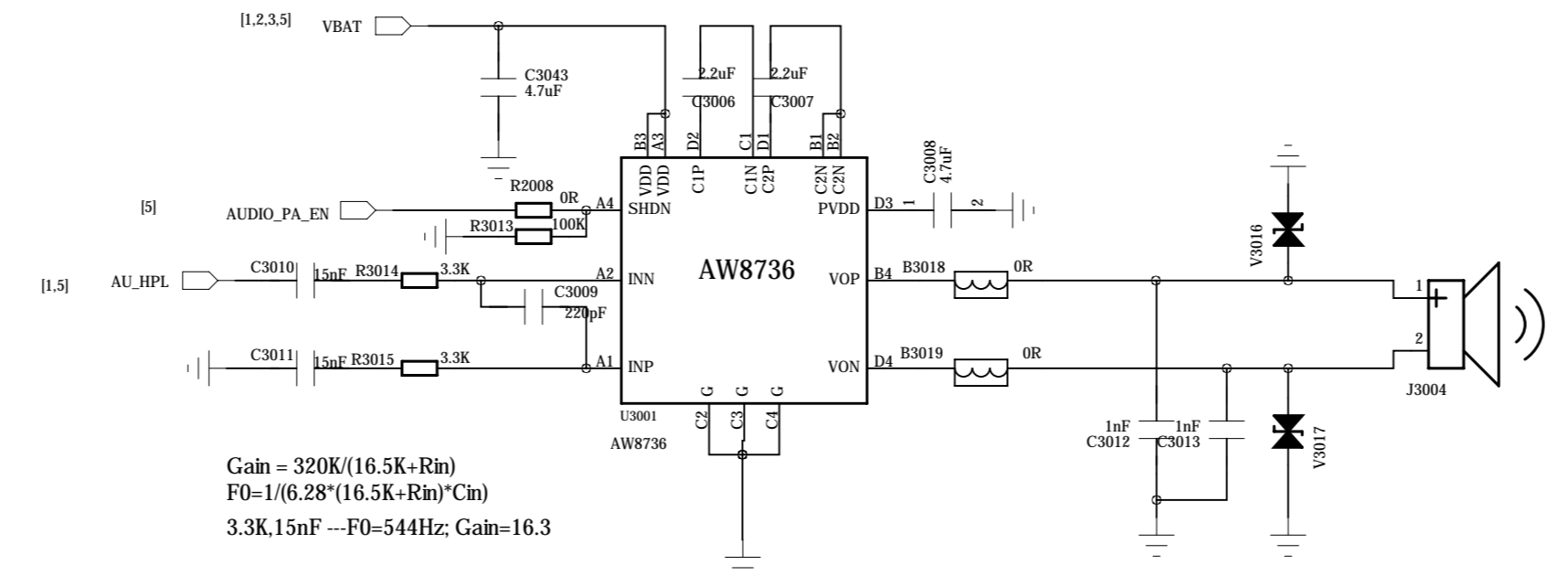
Sub MIC



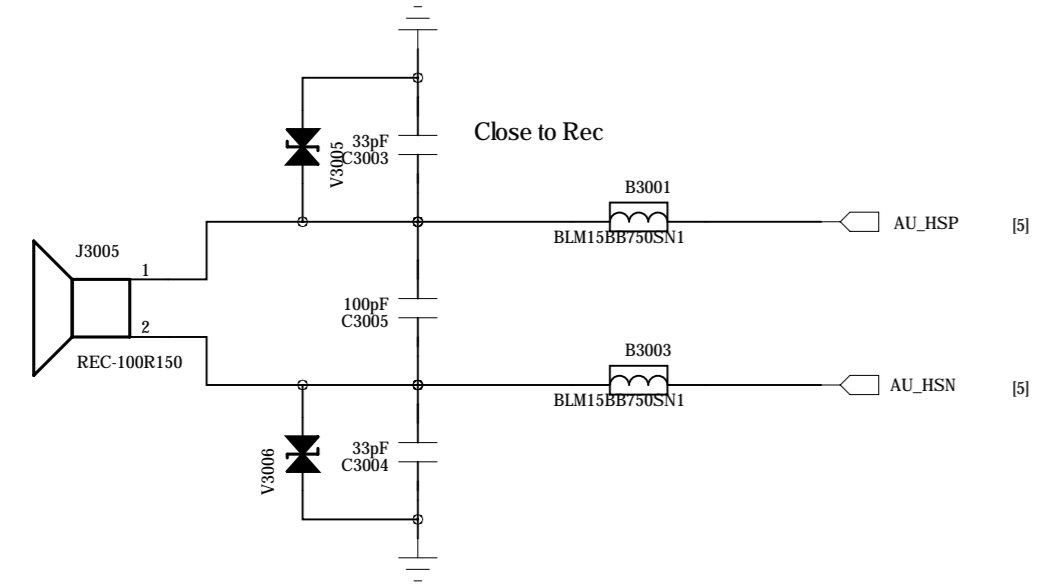
Headset



Speaker

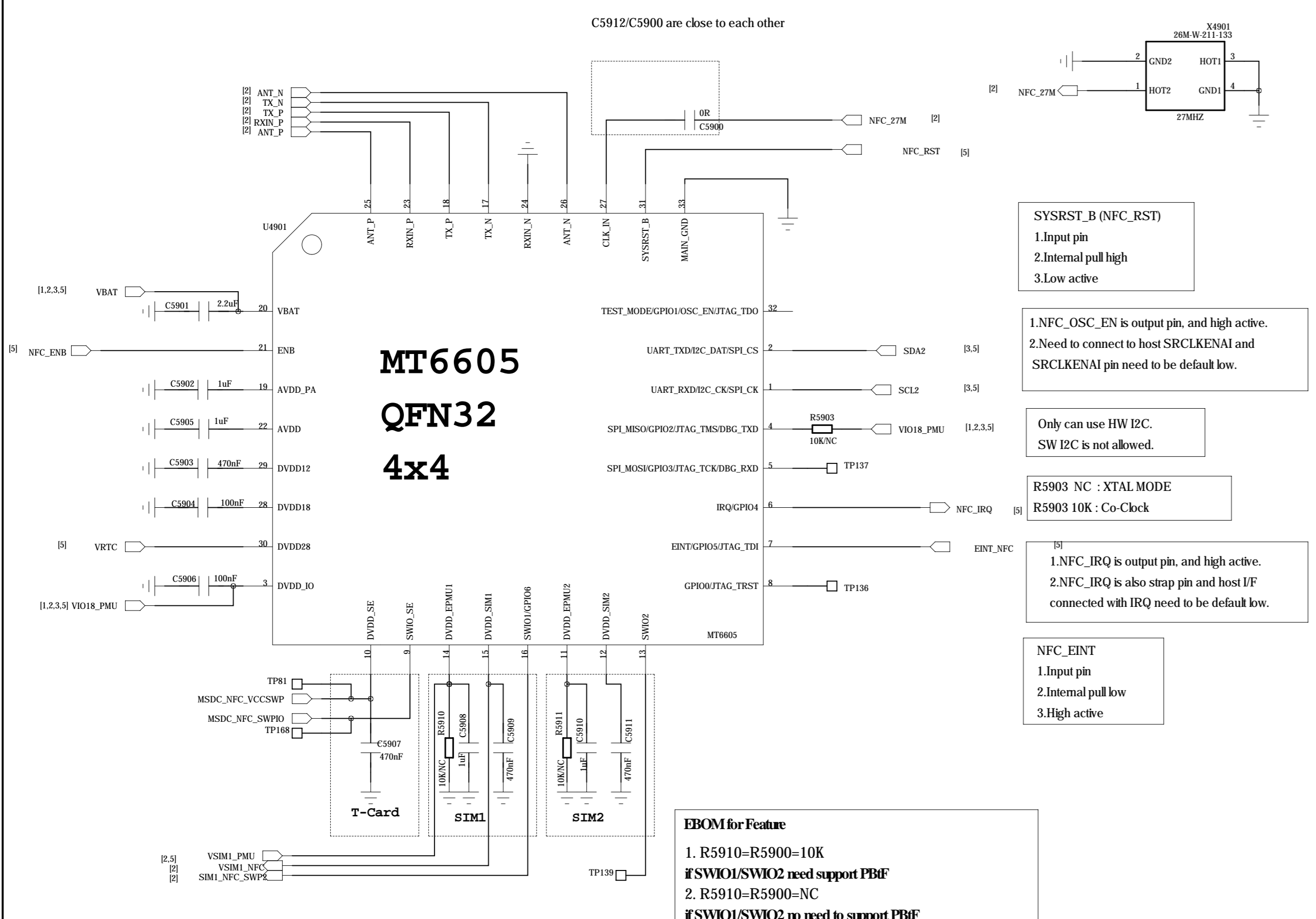


Receiver

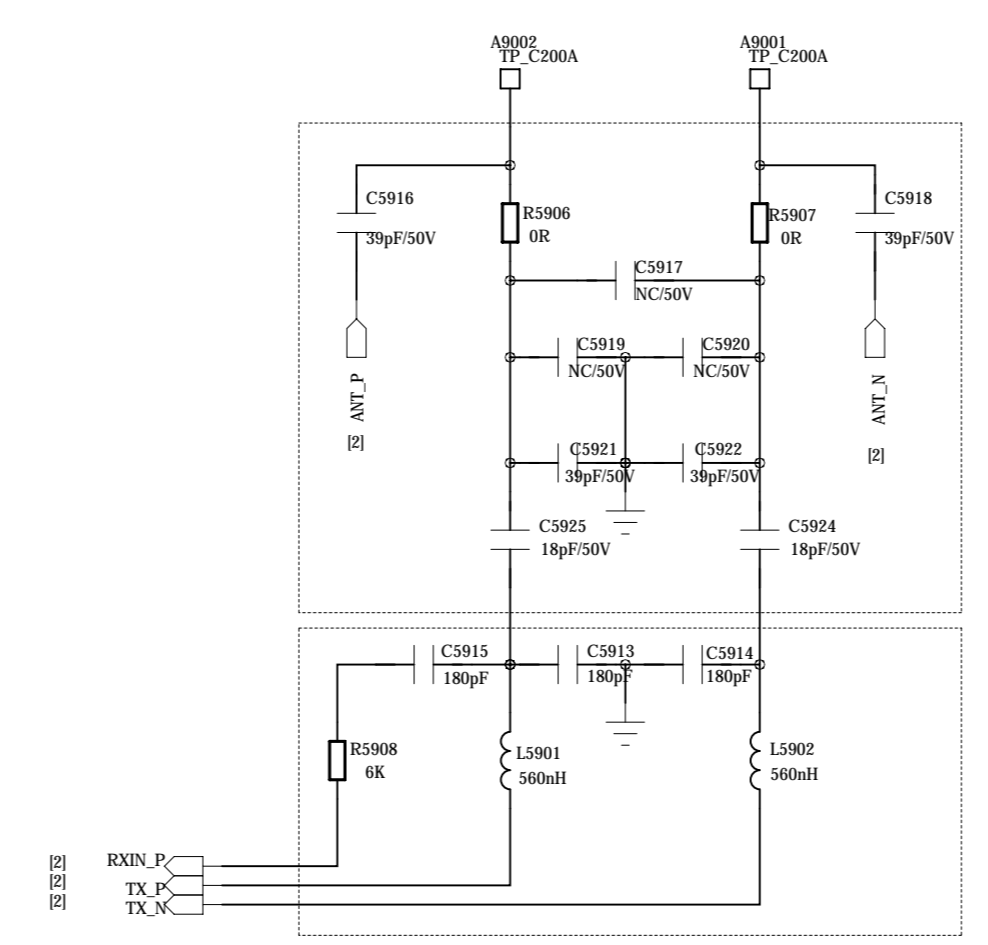


DRAWN BY	PROJECT	TITLE AUDIO
CHECKED BY	SIZE A1	VER <V1.00>
	SHEET 1 of 6	<DATE HERE>

NFC

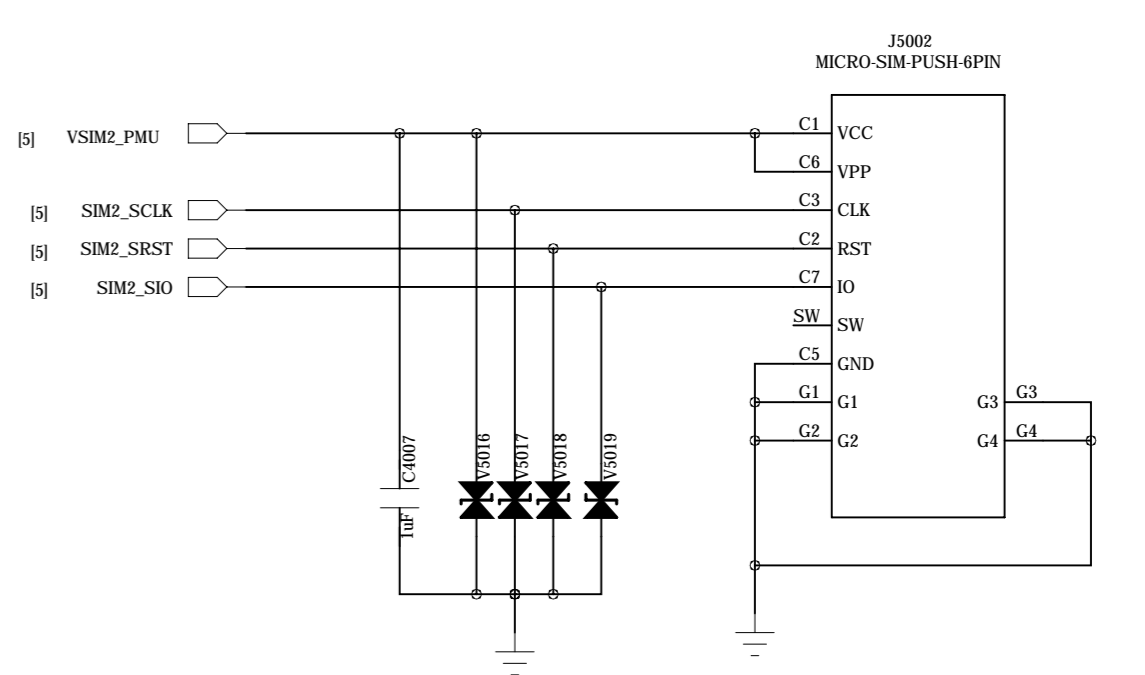
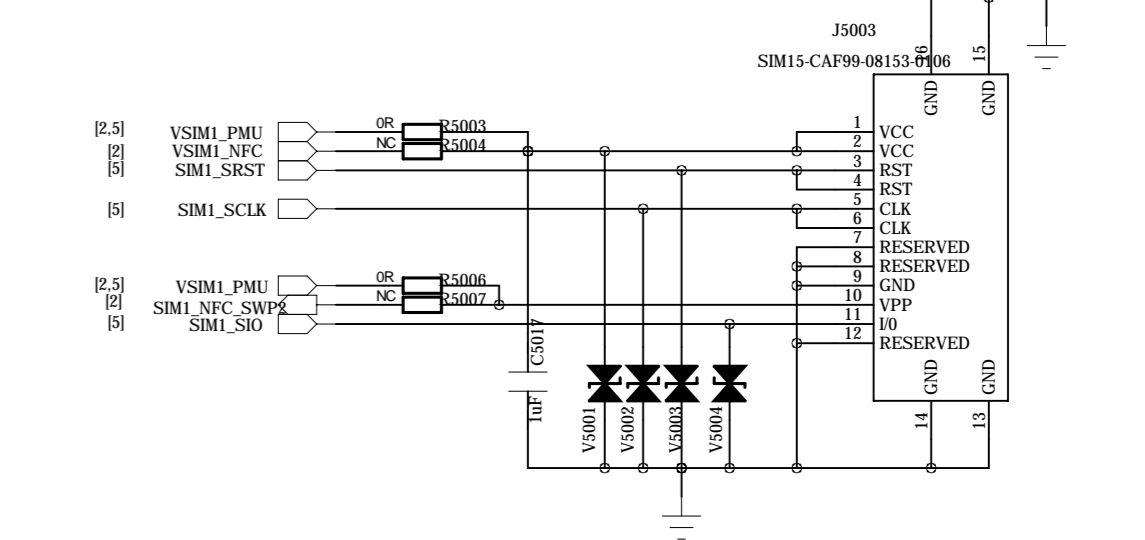


C5916, C5917, C5918, C5919, C5920, C5921, C5922, C5924, C5925 need to use 2% accuracy and 50V tolerance capacitor. PS: 0201 cap can't tolerance 50V

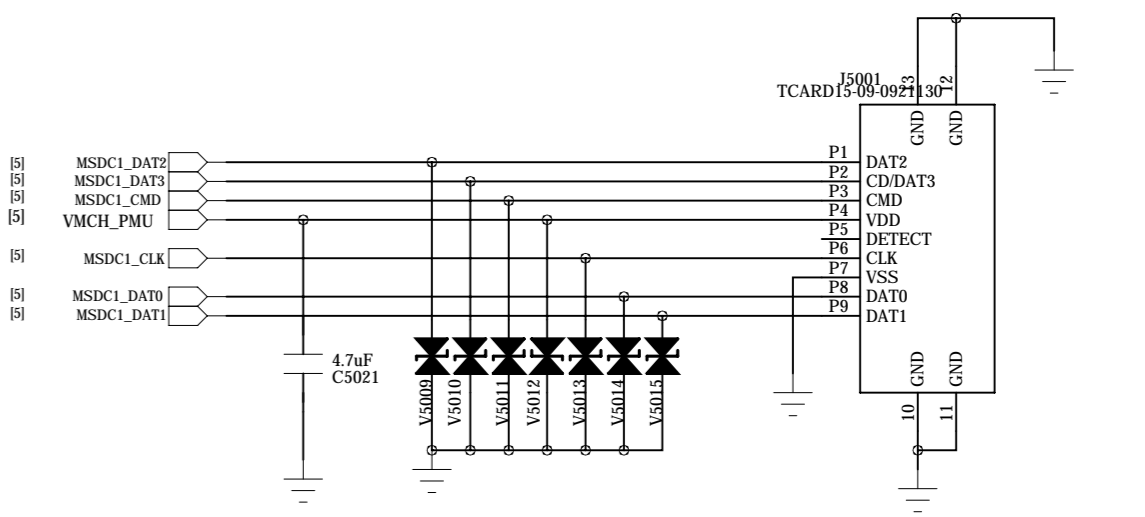


- SYSTRST_B (NFC_RST)**
 1. Input pin
 2. Internal pull high
 3. Low active
1. NFC_OSC_EN is output pin, and high active.
 2. Need to connect to host SRCLKENAI and SRCLKENAI pin need to be default low.
- Only can use HW I2C.
 SW I2C is not allowed.
- R5903 NC : XTAL MODE
 R5903 10K : Co-Clock
- NFC_IRQ**
 1. NFC_IRQ is output pin, and high active.
 2. NFC_IRQ is also strap pin and host I/F connected with IRQ need to be default low.
- NFC_EINT**
 1. Input pin
 2. Internal pull low
 3. High active

SIM CARD

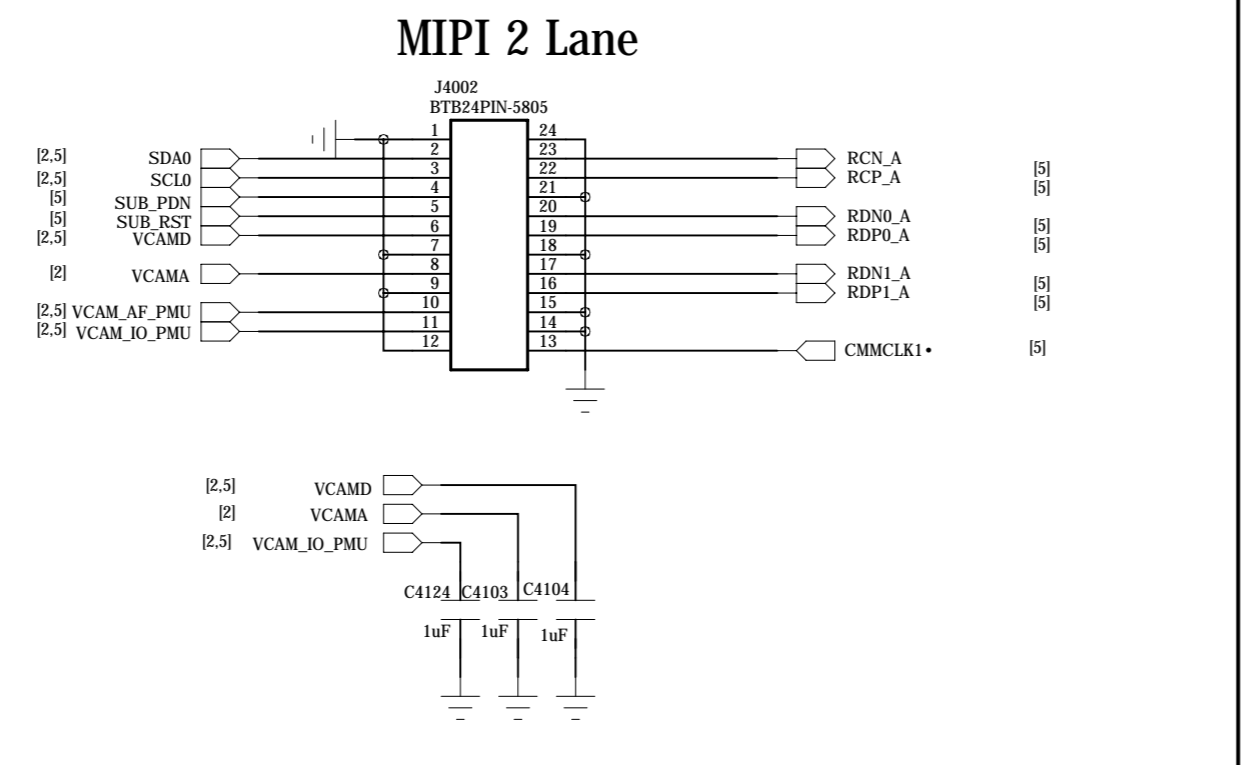
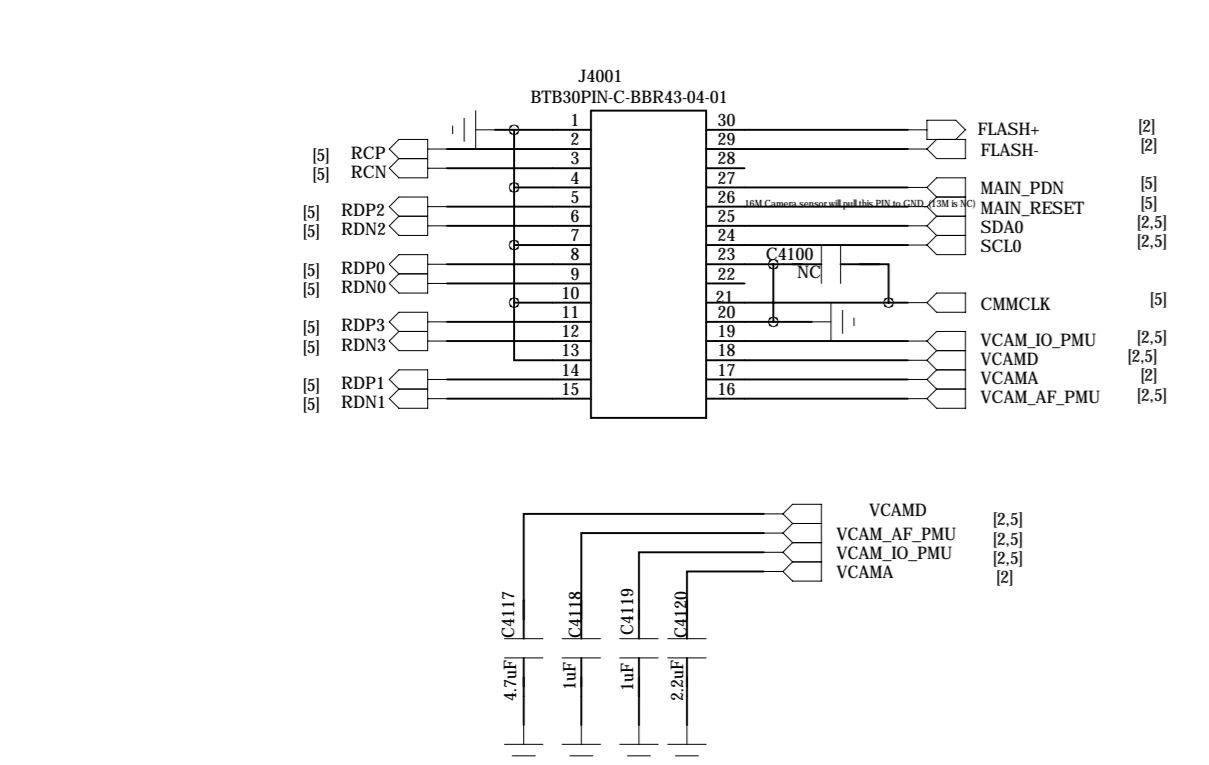
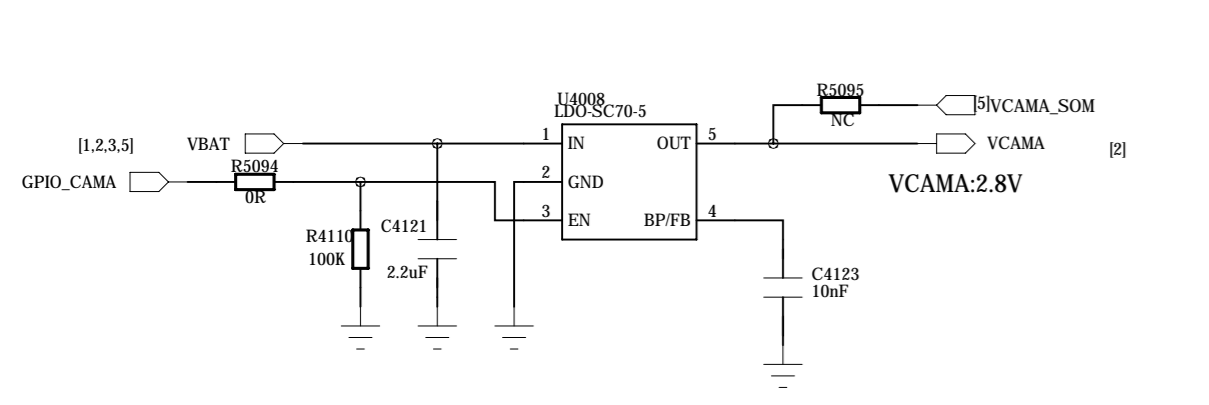


TF CARD

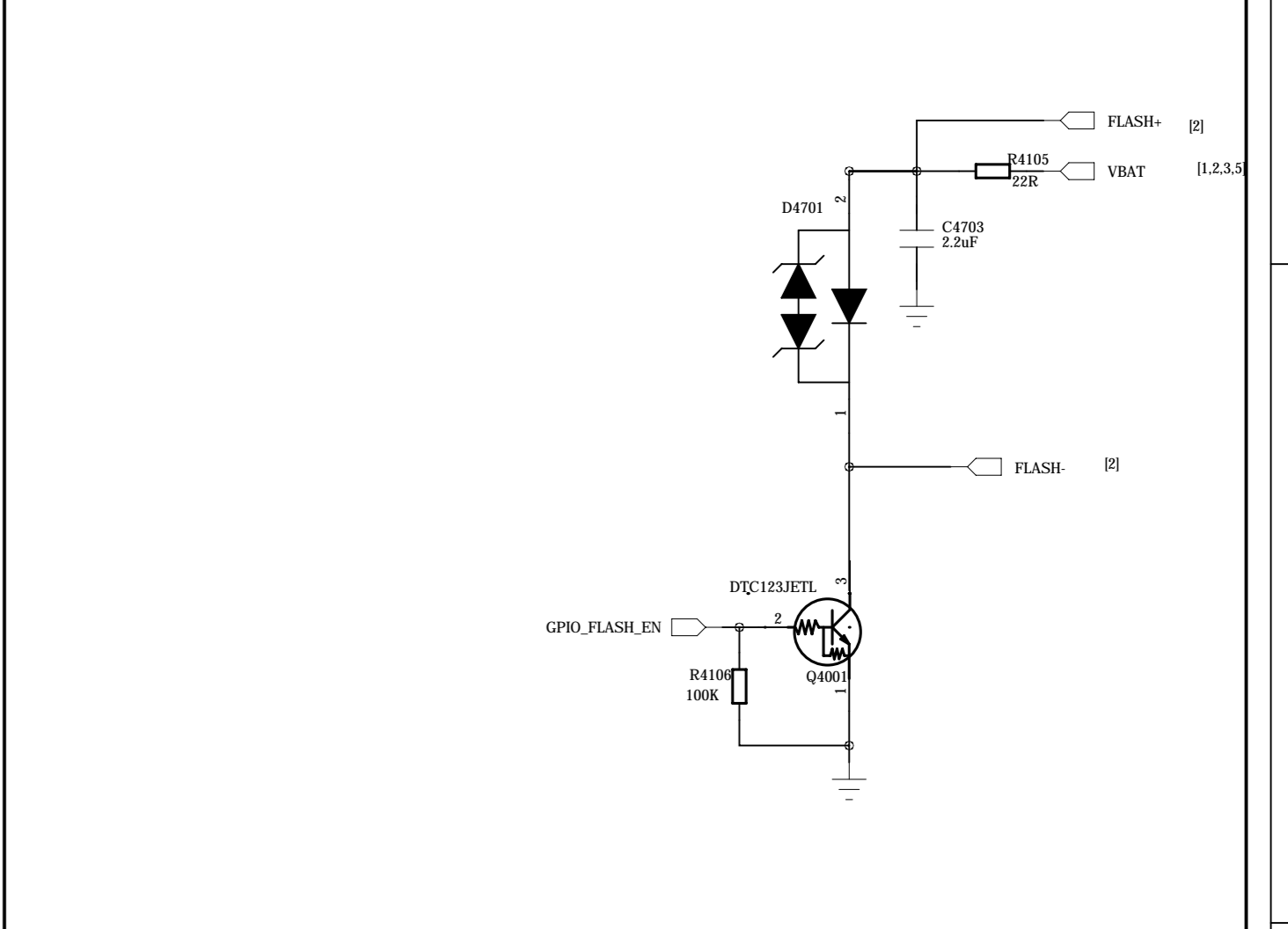


The equivalent capacitance of MSDC ESD protection device must be <=10pF.
 But for NFC app, equivalent capacitance of MSDC_NFC_SWPIO and MSDC_NFC_VCCSWP should <=0.5pF.

CAM AVDD

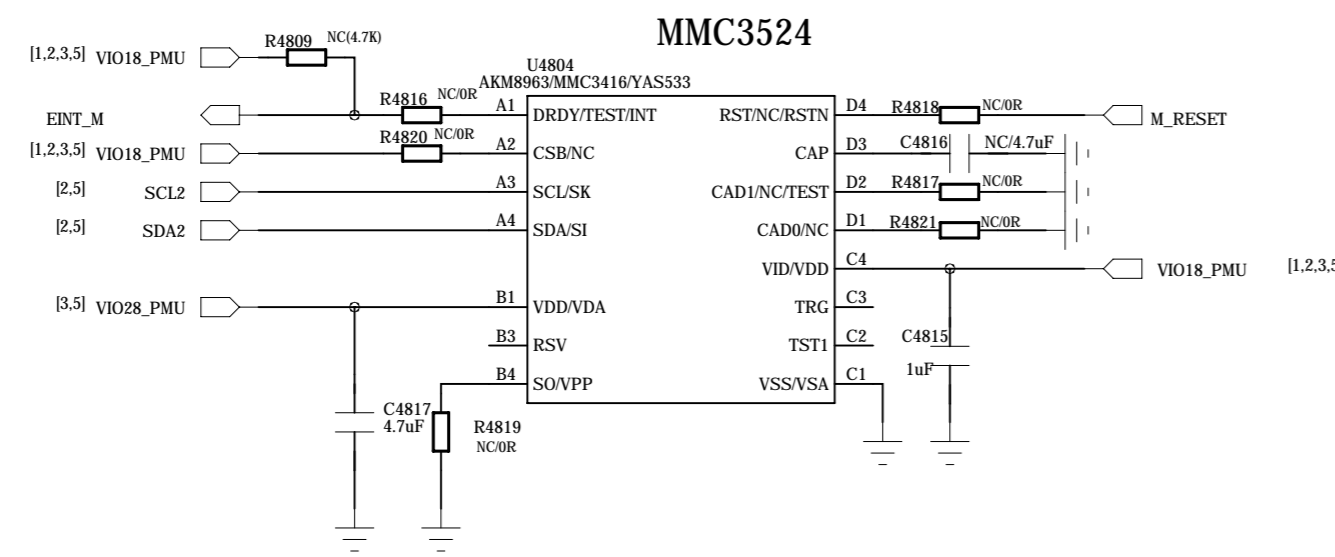


FLash LED



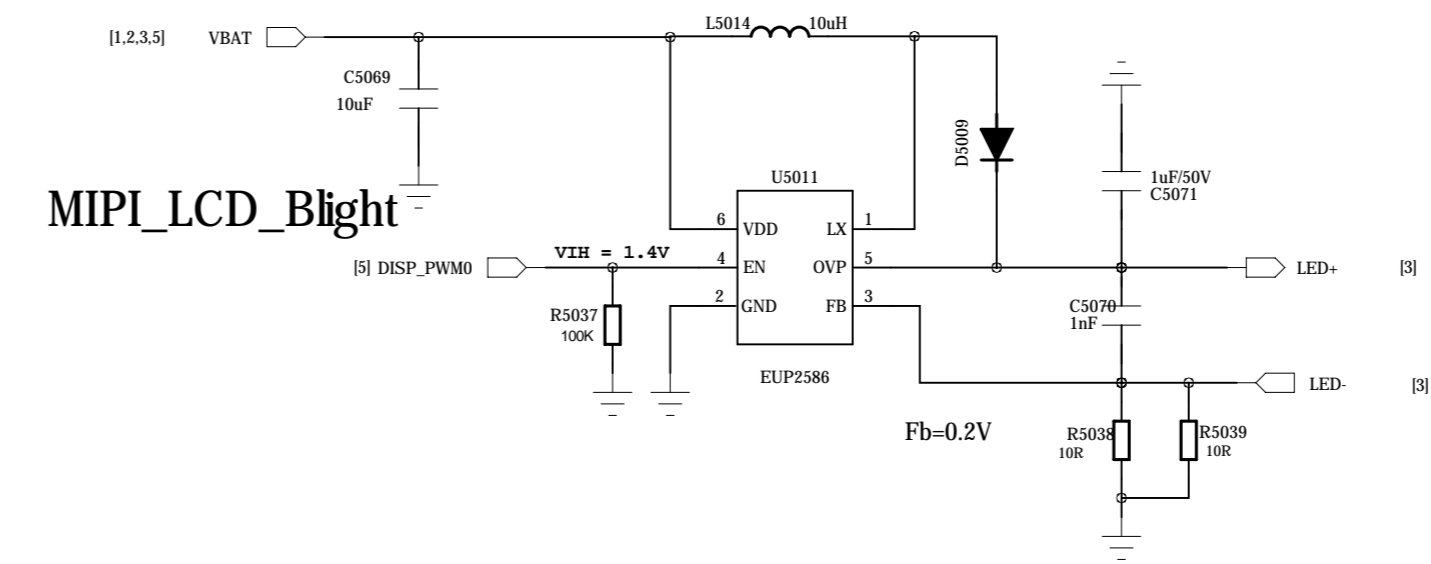
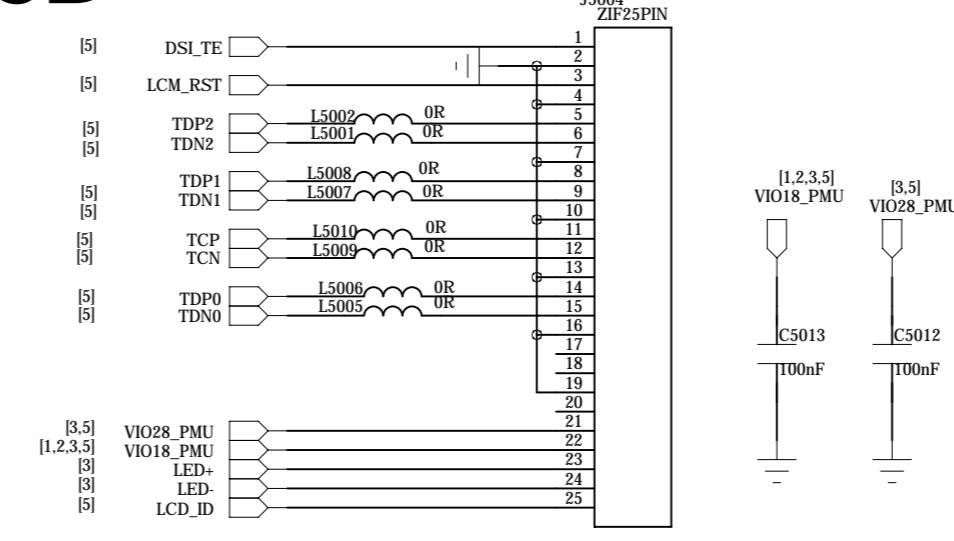
DRAWN BY	PROJECT	TITLE
CHECKED BY	SIZE A1	VER <V1.00>
SHEET 2 of 6		<DATE HERE>

M-Sensor

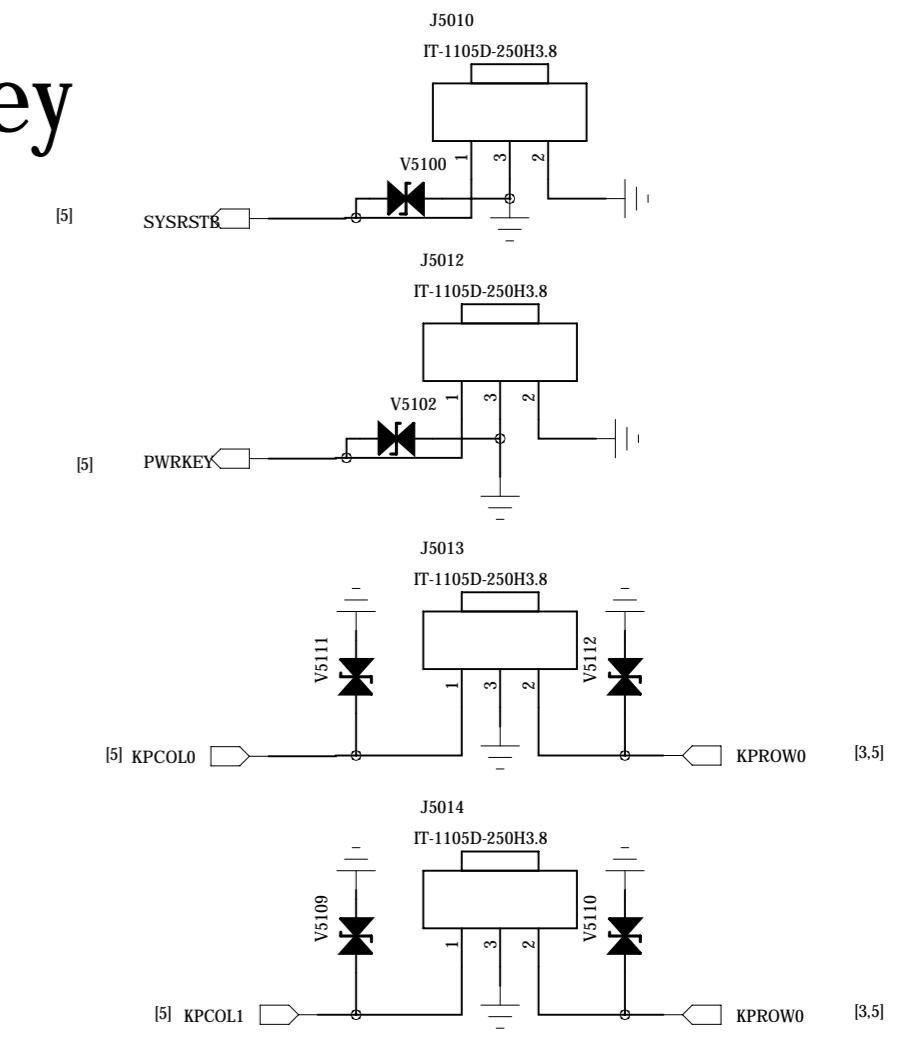


MMC3524¹*R4816=R4817=R4818=R4819=R4820=R4821=NC=C4816
 AK8963²*R4816=R4817=R4818=R4820=R4821=0R=R4819=NC
 YAS533³*R4816=R4817=R4818=0R=R4819=R4820=R4821=NC

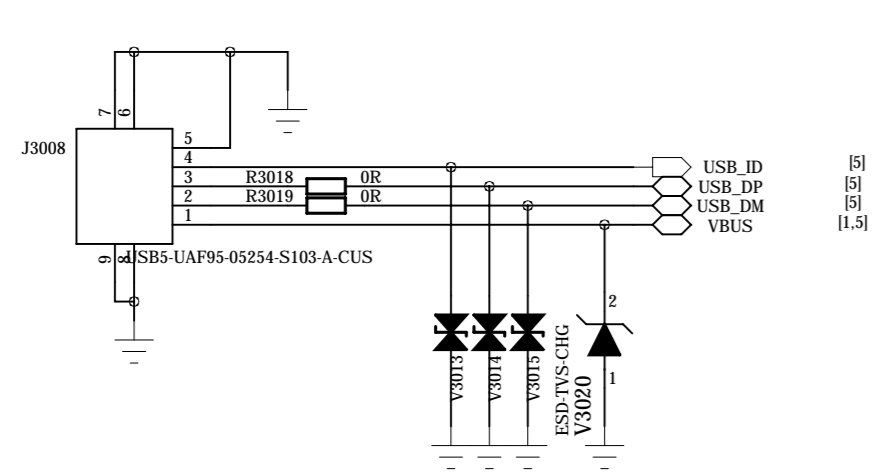
MIPI_LCD



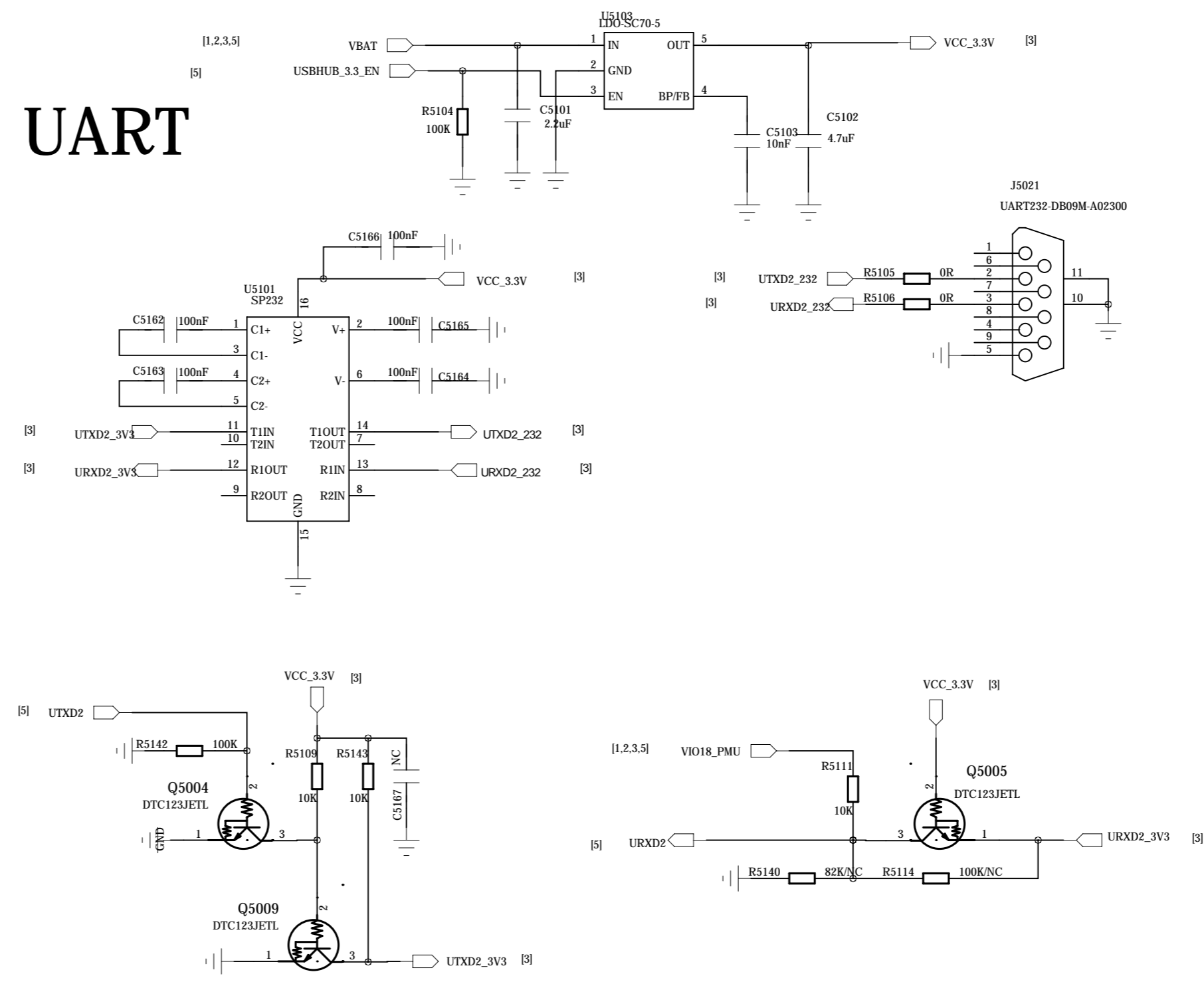
Key



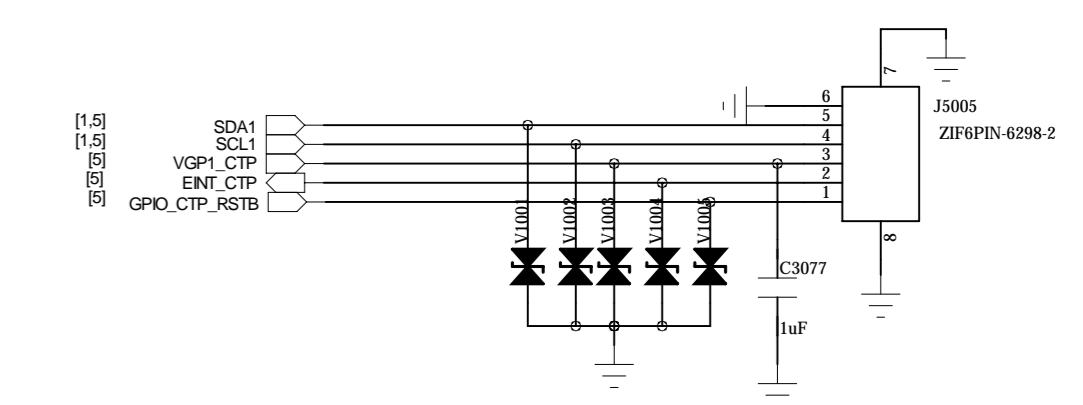
5Pin USB



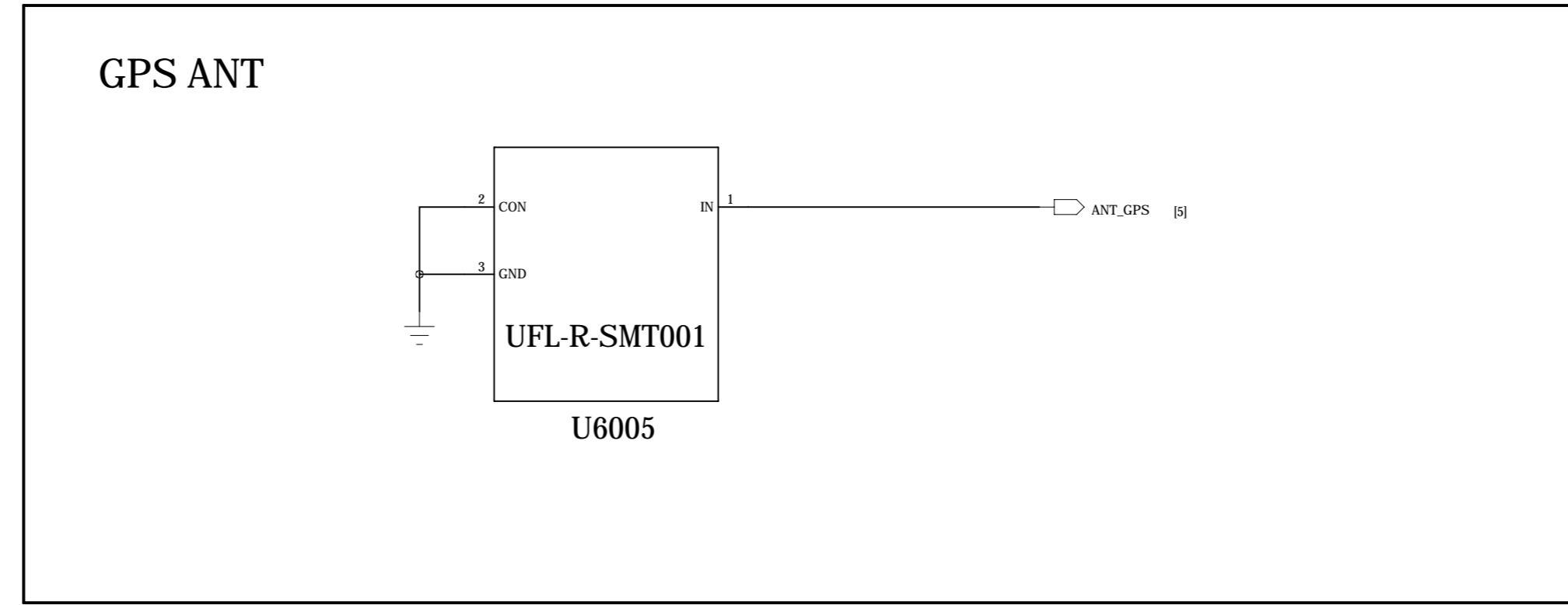
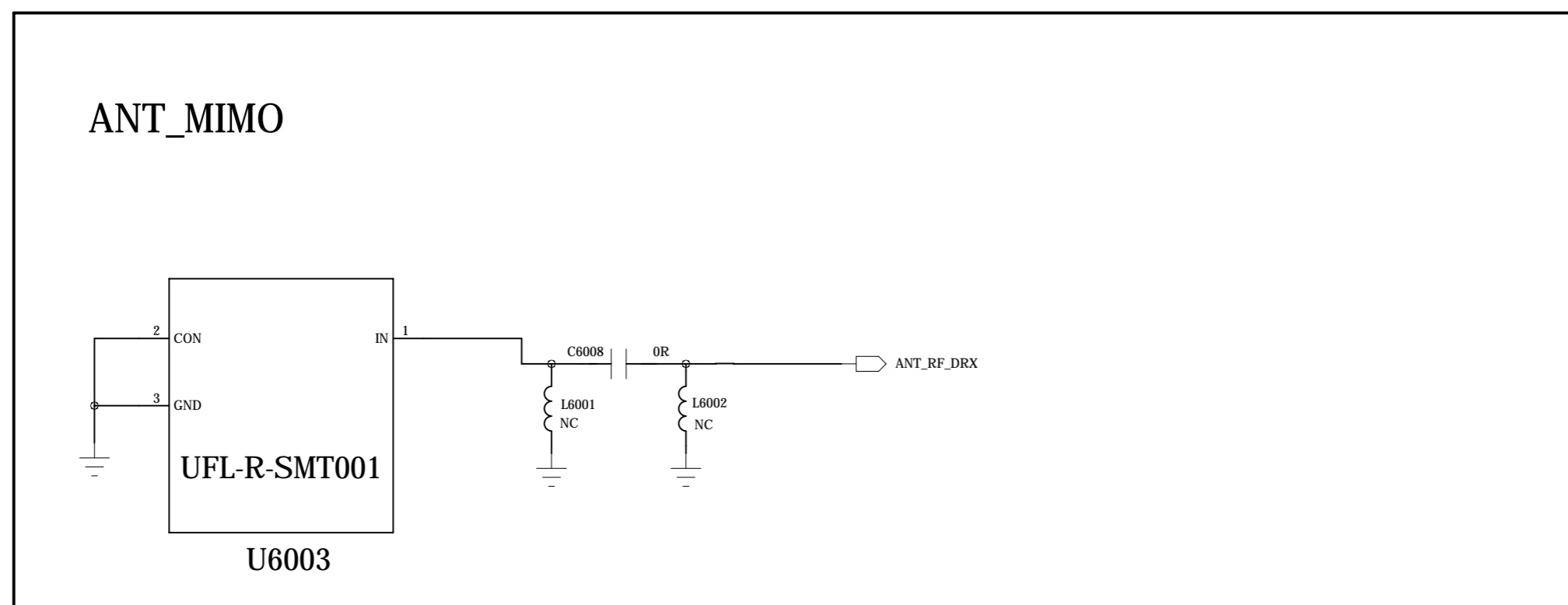
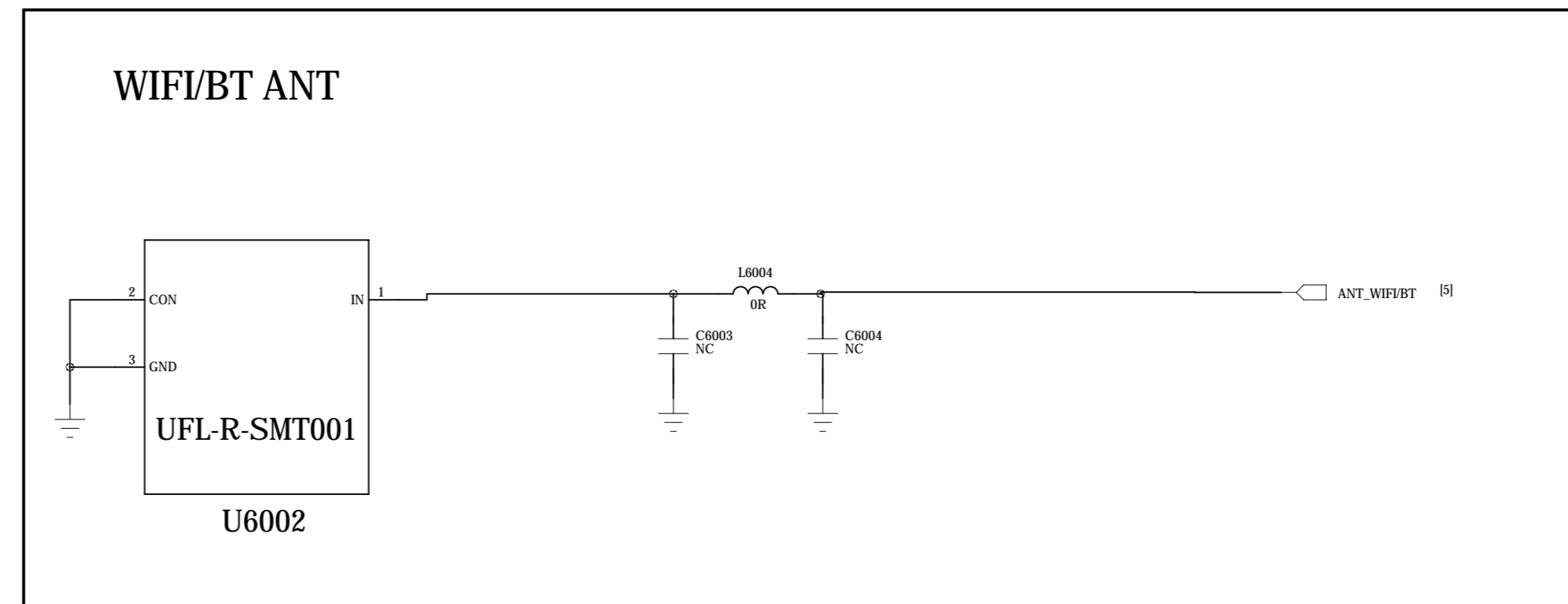
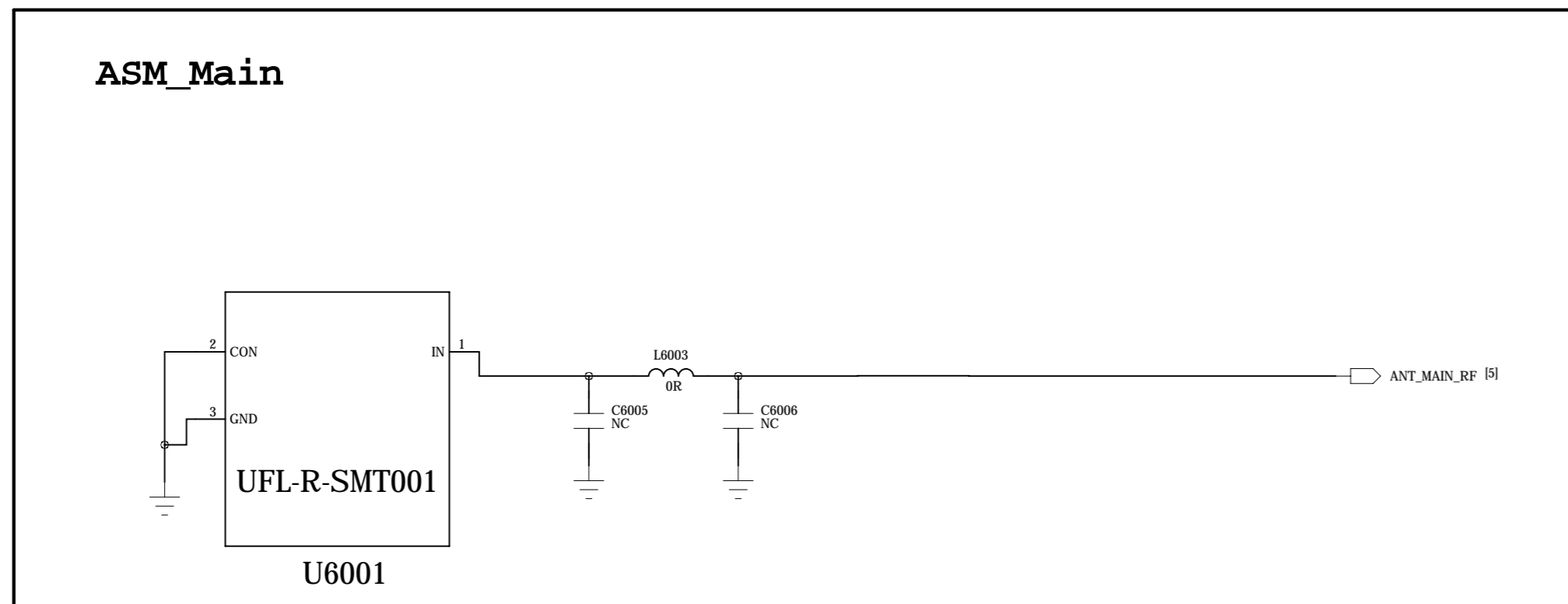
UART



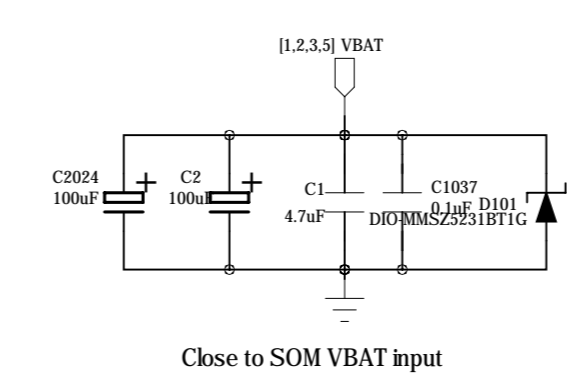
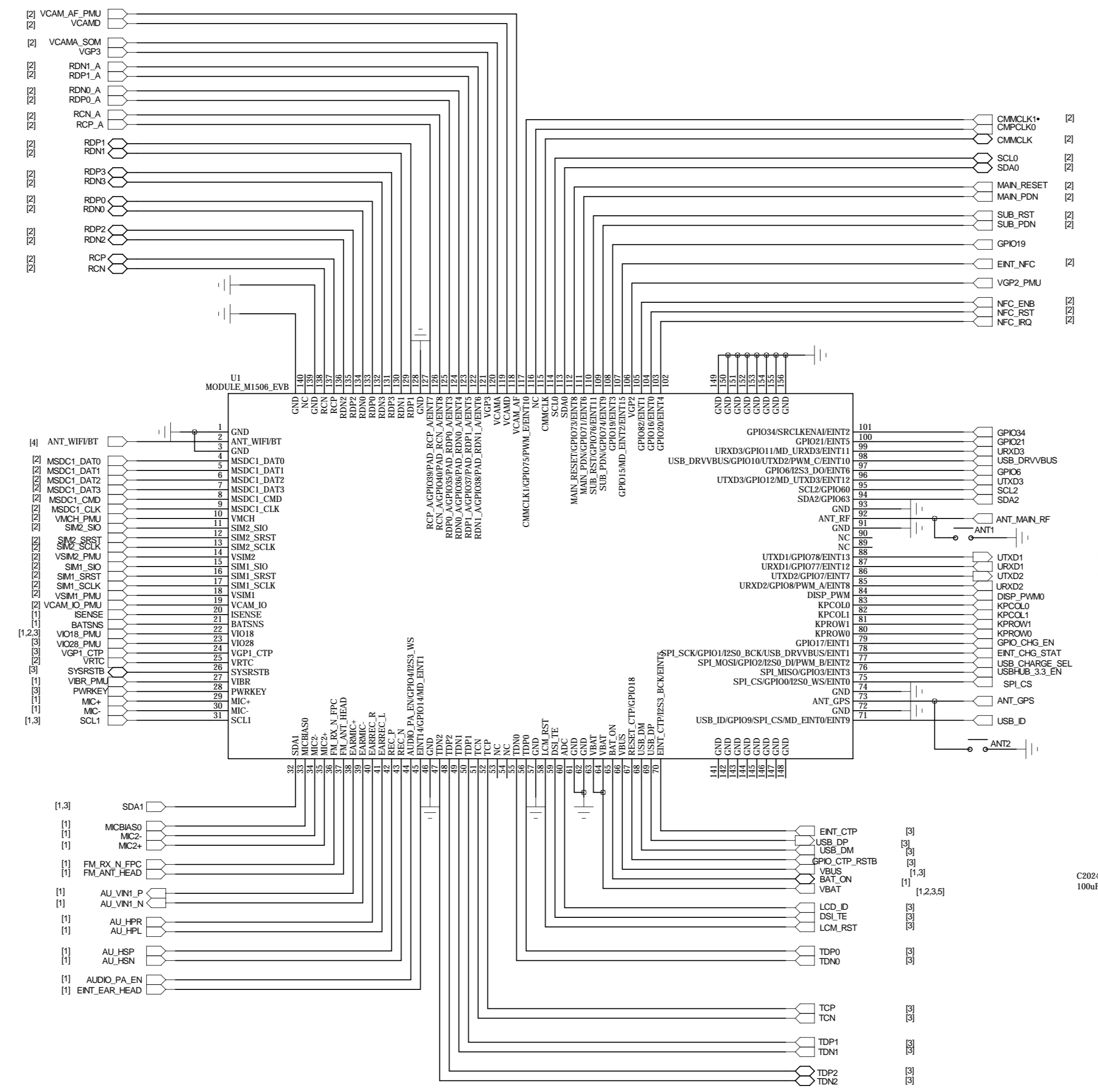
CTP



DRAWN BY	PROJECT	TITLE
CHECKED BY	SIZE A1	VER <V1.00>
	SHEET 4 of 6	<DATE HERE>



DRAWN BY	PROJECT	TITLE TV2
CHECKED BY	SIZE A1	VER <V1.00>
	SHEET 5 of 6	<DATE HERE>



Close to SOM VBAT input

DRAWN BY	PROJECT	TITLE
CHECKED BY	SIZE A1	VER <V1.00>
	SHEET 6 of 6	<DATE HERE>