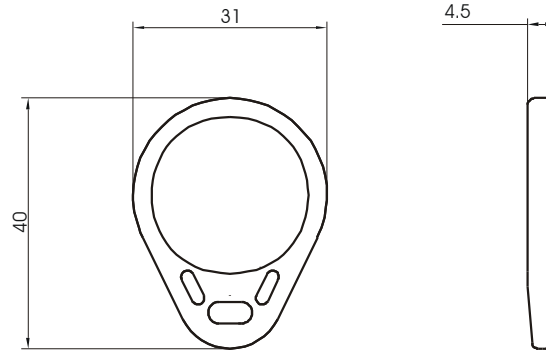


Product short data sheet

TEAR SHAPE



Chip type:	UNIQUE, TITAN, NOVA, MAGIC, HITAG 1, HITAG 2					
Physical:	Materiel:	ABS				
	Colour:	Black, red, blue, yellow or green				
Electrical:	SRF:	125 kHz	± 6 kHz	at room temperature		
Chemical:	Water proof according to IP66					
Thermal:	Operating:	-20°C to 80°C				
Part number:		Black	Red	Blue	Yellow	Green
	UNIQUE	601032	601033	601034	601035	601036
	TITAN	602032	602033	602034	602035	602036
	NOVA	603032	603033	603034	603035	603036
	MAGIC	604032	604033	604034	604035	604036
	HITAG 1	608032	608033	608034	608035	608036
	HITAG 2	609032	609033	609034	609035	609036

SOKYMAT reserves the right to change any information or data in this document without prior notice. The distribution and the update of this document is not controlled. SOKYMAT declines all responsibility for the use of product with any other specifications but the ones mentioned above. Any additional requirement for a specific customer application has to be validated by the customer himself at his own responsibility. Where application information is given, it is only advisory and does not form part of the specification.