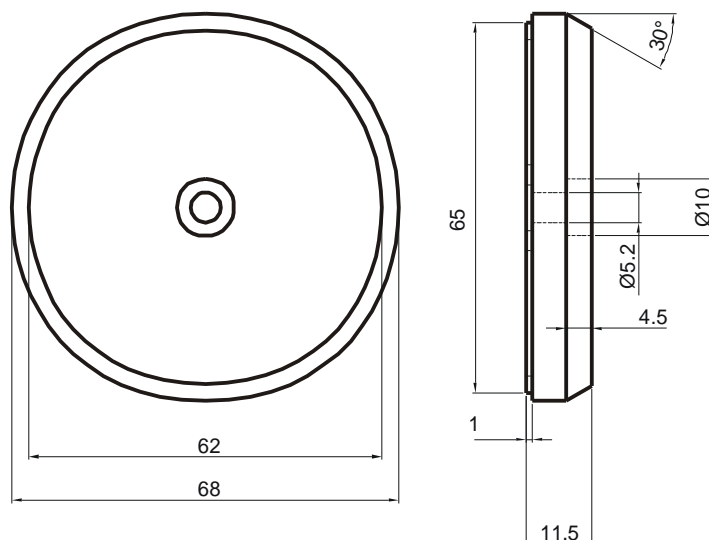


Preliminary short data sheet

VOLCANO TAG 370 Unique



Chip type:	UNIQUE ASK - read only 64 bits		
Physical:	Diameter:	68 mm	± 0.2mm
	Thickness:	11.5 mm	± 0.5mm
	Hole:	5.2 mm	± 0.2mm
	Materiel:	LCP, ultrasonic welded	
	Colour:	Dark grey	
Electrical:	SRF:	125 kHz	± 6 kHz at room temperature
Chemical:	Water immersion IP67 (20°C, 35min, 1m) Resist to common used solvents in automotive industry, motor and gear oil, fuel, most acids and basics.		
Thermal:	Storage:	-40°C to 90°C	1x 1000h
	Peak:	200°C	1x 1h
		250°C	1x 10min
		300°C	1x 5min
	Shock/fatigue:	-40°C to 200°C	100x 10min (1000°C/min.)
		20°C to 200°C	500x 35min
	Operating:	-40°C to 140°C	
Part number:	601109		

SOKYMAT reserves the right to change any information or data in this document without prior notice. The distribution and the update of this document is not controlled. SOKYMAT declines all responsibility for the use of product with any other specifications but the ones mentioned above. Any additional requirement for a specific customer application has to be validated by the customer himself at his own responsibility. Where application information is given, it is only advisory and does not form part of the specification.